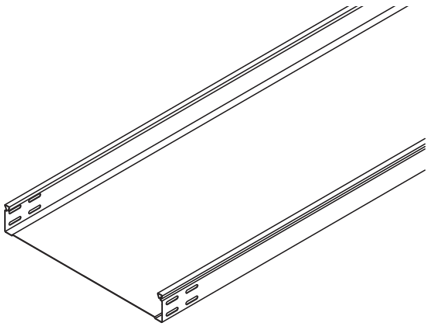


RS 60

Cable tray, unperforated, heavy, height = 60 mm

RS 60 unperforated cable trays have sides 60 mm high and are available in widths from 100 to 600 mm. The standard length is 3000 mm. We provide components in various materials and surface finishes to ensure that the corrosion requirements are met for all sorts of applications.



steel, continuously hot galvanized/Sendzimir process

Products	H	B	L	t	A	Q _{SK}	W
RS 60-10S	60 mm	100 mm	3000 mm	1,50 mm	57 cm ²	0,09 kN/m	9,200 kg
RS 60-20S	60 mm	200 mm	3000 mm	1,50 mm	117 cm ²	0,18 kN/m	12,600 kg
RS 60-30S	60 mm	300 mm	3000 mm	1,50 mm	177 cm ²	0,27 kN/m	15,900 kg
RS 60-40S	60 mm	400 mm	3000 mm	1,50 mm	237 cm ²	0,36 kN/m	18,900 kg
RS 60-50S	60 mm	500 mm	3000 mm	1,50 mm	297 cm ²	0,45 kN/m	22,100 kg
RS 60-60S	60 mm	600 mm	3000 mm	1,50 mm	357 cm ²	0,54 kN/m	25,600 kg

steel, batch/hot-dip galvanized

Products	H	B	L	t	A	Q _{SK}	W
RS 60-10F	60 mm	100 mm	3000 mm	1,50 mm	57 cm ²	0,09 kN/m	9,573 kg
RS 60-20F	60 mm	200 mm	3000 mm	1,50 mm	117 cm ²	0,18 kN/m	13,319 kg
RS 60-30F	60 mm	300 mm	3000 mm	1,50 mm	177 cm ²	0,27 kN/m	17,066 kg
RS 60-40F	60 mm	400 mm	3000 mm	1,50 mm	237 cm ²	0,36 kN/m	20,812 kg
RS 60-50F	60 mm	500 mm	3000 mm	1,50 mm	297 cm ²	0,45 kN/m	24,559 kg
RS 60-60F	60 mm	600 mm	3000 mm	1,50 mm	357 cm ²	0,54 kN/m	28,305 kg

H: height
B: width
L: length

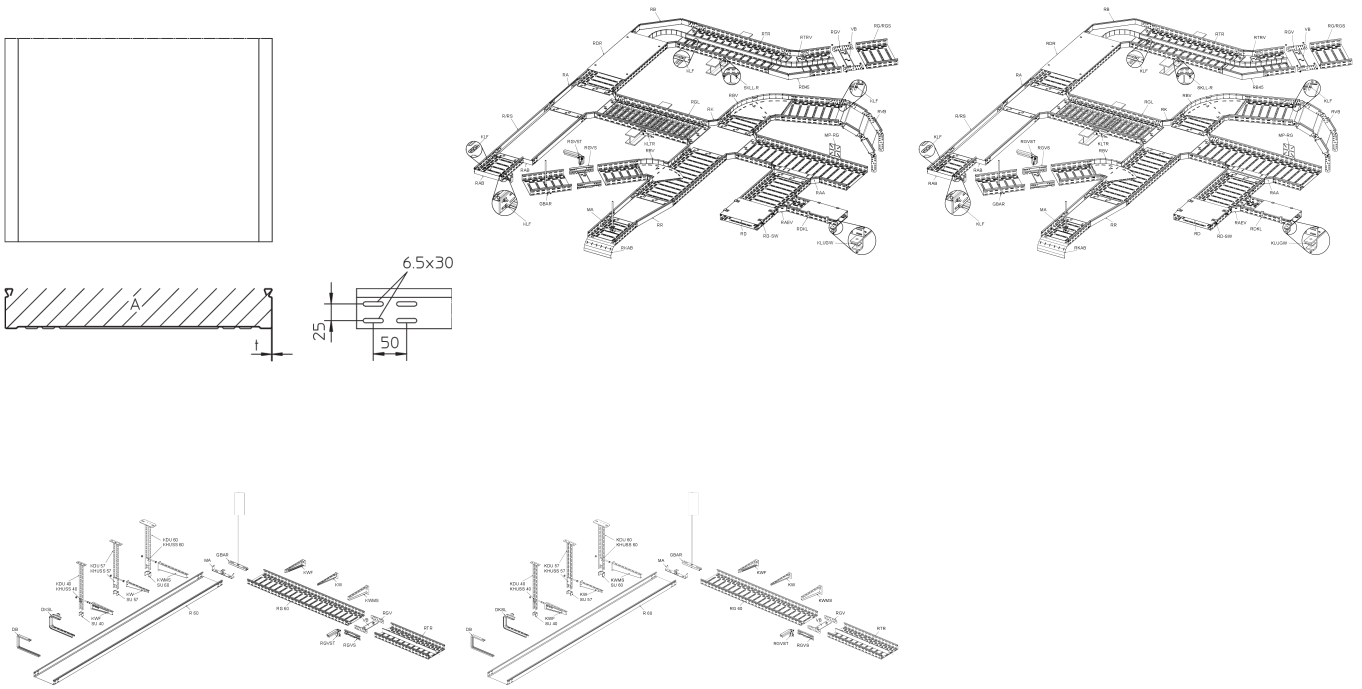
Page 1



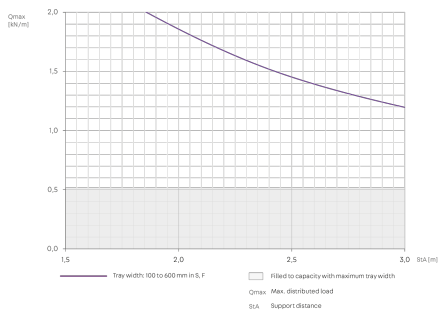
PRODUCT INFORMATION

t: material thickness
A: cross section area
Q_{SK}: distributed load control cable
W: Weight per storage unit

DETAIL AND APPLICATION IMAGES



LOAD DIAGRAM



OPTIONAL ACCESSORIES

RD, RDR, RDS, RDSR, RB 60, RB45 60, MA 60, RBV 60, RAE 60, RAA 60, RA 60, RK 60, RVB 60, RR 60, RAB 60, REB, RGV 60, VB, RTR 60

