

RRDR

Cable tray reducer cover with turning bolts

The cable tray reducer covers RRDR with turning bolts are suitable for RR cable tray reducers and protect them from dirt and moisture. They snap into place and interlock with the side rails. Just like the formed parts, the covers RRDR are also available in three designs: centre, left and right. Specify the desired design and width when ordering. If the covers are to be used outdoors, additional securing brackets to protect against wind are required. In this case, the twist lock alone is not sufficient as a retaining element. We provide components in various materials and surface finishes to ensure that the corrosion requirements are met for all sorts of applications.

steel, continuously hot galvanized/Senzimir process

Products	B	B2	L	weight
RRDR 20S	206 mm	106 mm	500 mm	0,620 kg
RRDR 30S	306 mm	206 mm	500 mm	1,190 kg
RRDR 40S	406 mm	306 mm	500 mm	1,580 kg
RRDR 50S	506 mm	406 mm	500 mm	2,450 kg
RRDR 60S	606 mm	506 mm	500 mm	2,930 kg

steel, batch/hot-dip galvanized

Products	B	B2	L	weight
RRDR 20F	206 mm	106 mm	500 mm	0,680 kg
RRDR 30F	306 mm	206 mm	500 mm	1,310 kg
RRDR 40F	406 mm	306 mm	500 mm	1,740 kg
RRDR 50F	506 mm	406 mm	500 mm	2,700 kg
RRDR 60F	606 mm	506 mm	500 mm	3,240 kg

Stainless steel, according to ASTM 304 / BS 304 S 3

Products	B	B2	L	weight
RRDR 20E	206 mm	106 mm	500 mm	0,620 kg

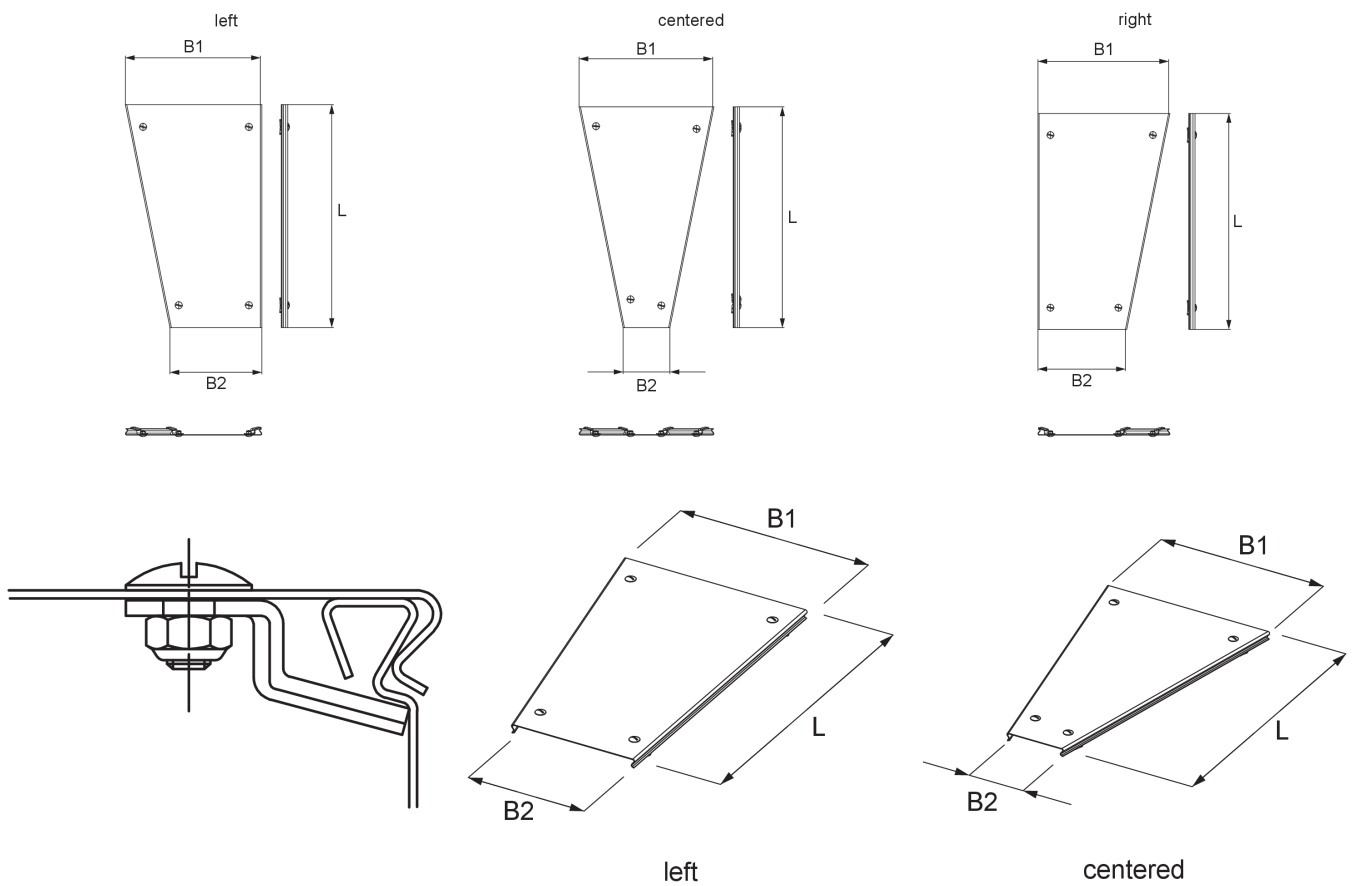


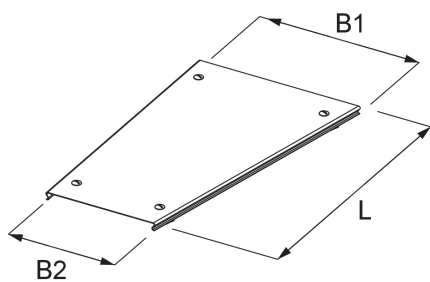
PRODUCT INFORMATION

Products	B	B2	L	weight
RRDR 30E	306 mm	206 mm	500 mm	1,190 kg
RRDR 40E	406 mm	306 mm	500 mm	1,580 kg
RRDR 50E	506 mm	406 mm	500 mm	2,450 kg
RRDR 60E	606 mm	506 mm	500 mm	2,930 kg

B: width
B2: width
L: length

DETAIL AND APPLICATION IMAGES





right

OPTIONAL ACCESSORIES

RD-SW

