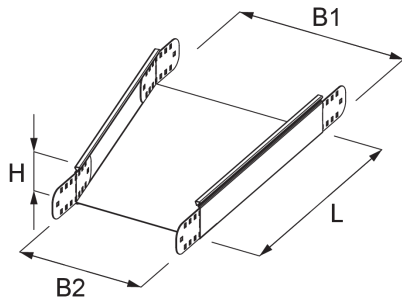


RR 85

Cable tray reducer, height = 85 mm



left

The cable tray reducer RR 85 with integrated side connectors enables the width of the cable tray to be reduced. It is available in three different designs: It can narrow towards the centre or on the left or right side. Specify the desired design (left, centre, right) and width when ordering. The entrance width is always reduced by 100 mm. The cable tray reducer has a standard length of 500 mm and is suitable for cable trays with sides 85 mm high. We provide components in various materials and surface finishes to ensure that the corrosion requirements are met for all sorts of applications.

steel, continuously hot galvanized/Sendzimir process

Products	H	B	B2	L	weight
RR 85-20S	85 mm	200 mm	100 mm	500 mm	1,816 kg
incl.: 4 × KLR					
RR 85-30S	85 mm	300 mm	200 mm	500 mm	2,306 kg
incl.: 4 × KLR					
RR 85-40S	85 mm	400 mm	300 mm	500 mm	2,796 kg
incl.: 4 × KLR					
RR 85-50S	85 mm	500 mm	400 mm	500 mm	3,286 kg
incl.: 4 × KLR					
RR 85-60S	85 mm	600 mm	500 mm	500 mm	3,776 kg
incl.: 4 × KLR					

steel, batch/hot-dip galvanized

Products	H	B	B2	L	weight
RR 85-20F	85 mm	200 mm	100 mm	500 mm	2,004 kg

Page 1

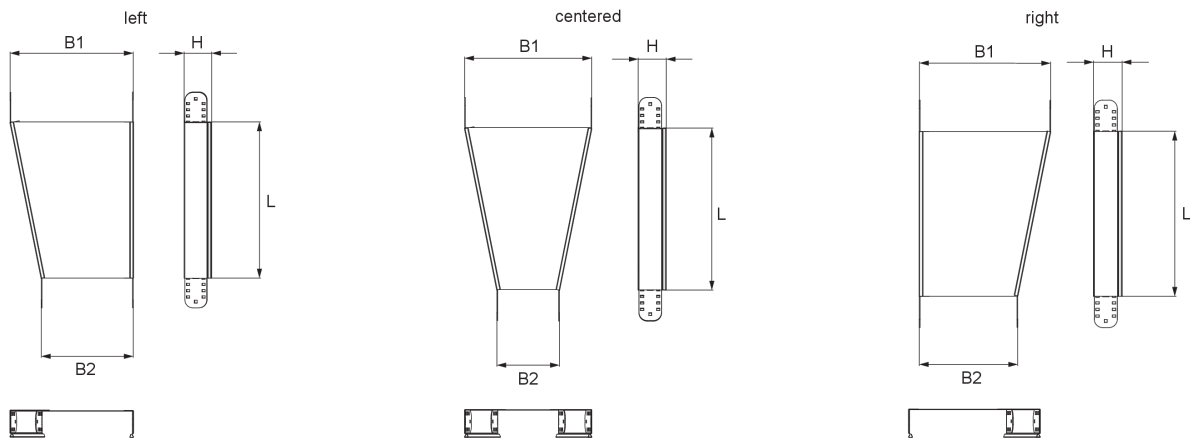


PRODUCT INFORMATION

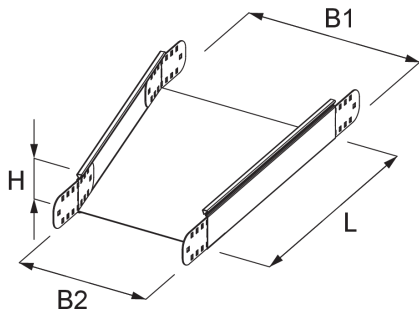
Products	H	B	B2	L	weight
incl.: 4 × KLR E					
RR 85-30F	85 mm	300 mm	200 mm	500 mm	2,544 kg
incl.: 4 × KLR E					
RR 85-40F	85 mm	400 mm	300 mm	500 mm	3,074 kg
incl.: 4 × KLR E					
RR 85-50F	85 mm	500 mm	400 mm	500 mm	3,614 kg
incl.: 4 × KLR E					
RR 85-60F	85 mm	600 mm	500 mm	500 mm	4,154 kg
incl.: 4 × KLR E					

H: height
B: width
B2: width
L: length

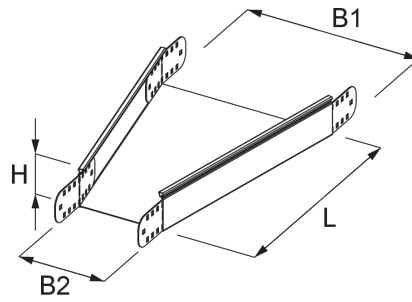
DETAIL AND APPLICATION IMAGES



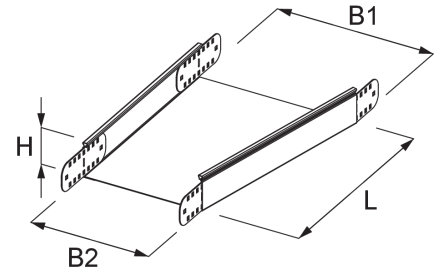
PRODUCT INFORMATION



left



centered



right

OPTIONAL ACCESSORIES

RRD, RRDR, VB, RTRV 85

