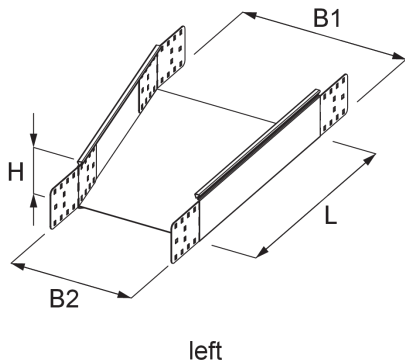


## RR 110

Cable tray reducer, height = 110 mm



The cable tray reducer RR 110 with integrated side connectors enables the width of the cable tray to be reduced. It is available in three different designs: It can narrow towards the centre or on the left or right side. Specify the desired design (left, centre, right) and width when ordering. The entrance width is always reduced by 100 mm. The cable tray reducer has a standard length of 500 mm and is suitable for cable trays with sides 110 mm high. We provide components in various materials and surface finishes to ensure that the corrosion requirements are met for all sorts of applications.

steel, continuously hot galvanized/Sendzimir process

Products	H	B	B2	L	W
RR 110-20S	110 mm	200 mm	100 mm	500 mm	2,006 kg
incl.:					
4 × KLR					
RR 110-30S	110 mm	300 mm	200 mm	500 mm	2,506 kg
incl.:					
4 × KLR					
RR 110-40S	110 mm	400 mm	300 mm	500 mm	2,996 kg
incl.:					
4 × KLR					
RR 110-50S	110 mm	500 mm	400 mm	500 mm	3,486 kg
incl.:					
4 × KLR					
RR 110-60S	110 mm	600 mm	500 mm	500 mm	3,976 kg
incl.:					
4 × KLR					

steel, batch/hot-dip galvanized

Products	H	B	B2	L	W
RR 110-20F	110 mm	200 mm	100 mm	500 mm	2,214 kg

Page 1



# PRODUCT INFORMATION

Products	H	B	B2	L	W
incl.: 4 × KLR E					
RR 110-30F	110 mm	300 mm	200 mm	500 mm	2,754 kg
incl.: 4 × KLR E					
RR 110-40F	110 mm	400 mm	300 mm	500 mm	3,294 kg
incl.: 4 × KLR E					
RR 110-50F	110 mm	500 mm	400 mm	500 mm	3,834 kg
incl.: 4 × KLR E					
RR 110-60F	110 mm	600 mm	500 mm	500 mm	4,374 kg
incl.: 4 × KLR E					

## Stainless steel, according to ASTM 304 / BS 304 S 3

Products	H	B	B2	L	W
RR 110-20E	110 mm	200 mm	100 mm	500 mm	2,014 kg
incl.: 4 × KLR E					
RR 110-30E	110 mm	300 mm	200 mm	500 mm	2,514 kg
incl.: 4 × KLR E					
RR 110-40E	110 mm	400 mm	300 mm	500 mm	3,004 kg
incl.: 4 × KLR E					
RR 110-50E	110 mm	500 mm	400 mm	500 mm	3,494 kg
incl.: 4 × KLR E					
RR 110-60E	110 mm	600 mm	500 mm	500 mm	3,984 kg
incl.: 4 × KLR E					

Page 2



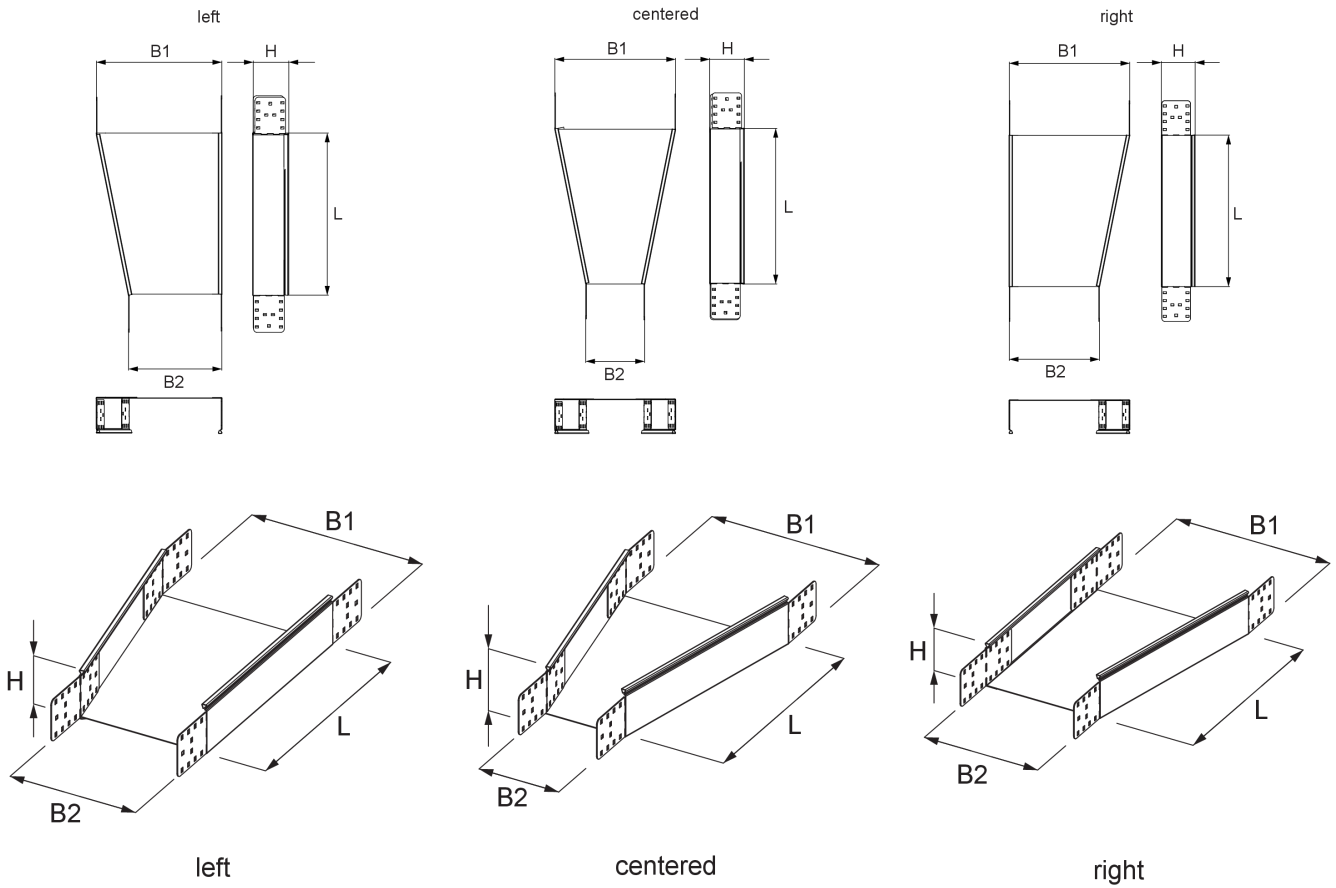
PohlCon GmbH  
Nobelstraße 51 | 12057 Berlin  
Telefon: +49 30 68283-04 | Fax: +49 30 68283-383 | contact@pohlcon.com



# PRODUCT INFORMATION

**H:** height  
**B:** width  
**B2:** width  
**L:** length  
**W:** Weight per storage unit

## DETAIL AND APPLICATION IMAGES



## OPTIONAL ACCESSORIES

RRD, RRDR, VB, RTRV 110

