

RP

Back plate for wall bracket KW/KWF

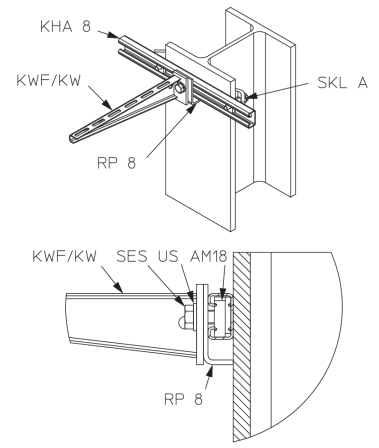
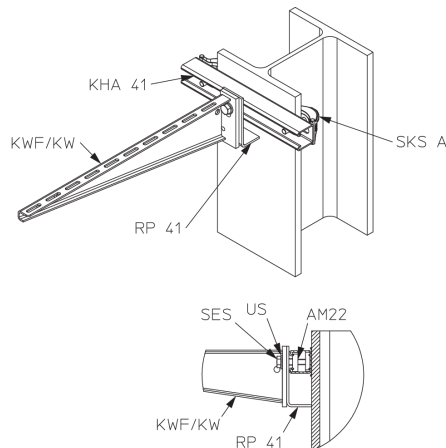
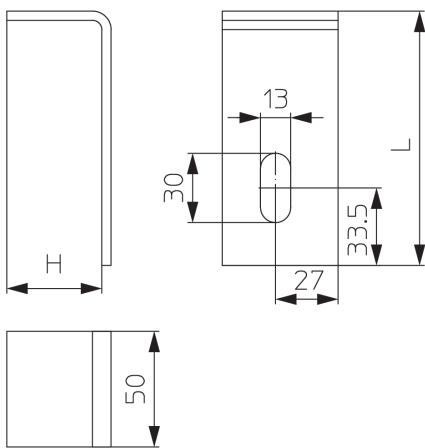
The back plate RP is suitable for brackets KWF or KW, which are fastened to steel profiles by means of horizontal profile rails KHA 8 or KHA 41. The back plate between bracket and profile rail prevents torsional forces on the horizontal profile rail. RP 8 is designed for KHA 8 profile rails, RP 41 for KHA 41 profile rails. The static values for the KHA 8 and KHA 41 profile rails must be observed.

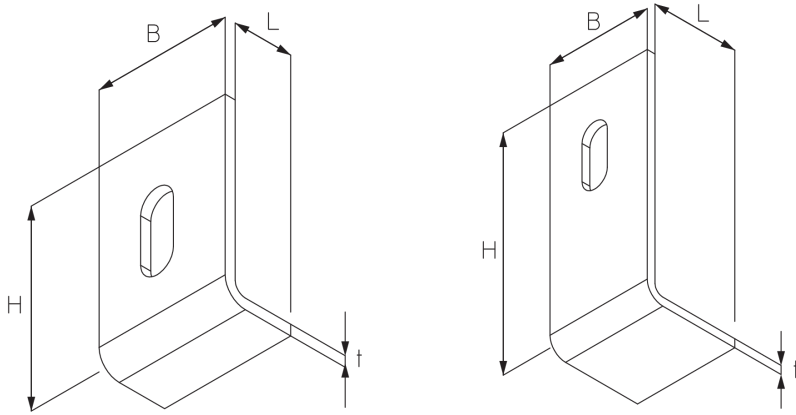
steel, batch/hot-dip galvanized

Products	H	B	L	t	W
RP 8F	110 mm	40 mm	21 mm	4,00 mm	0,158 kg
RP 41F	110 mm	40 mm	41 mm	4,00 mm	0,181 kg

H: height
B: width
L: length
t: material thickness
W: Weight per storage unit

DETAIL AND APPLICATION IMAGES





OPTIONAL ACCESSORIES

KHA 8, KHA 41, KWF, KW, SKL A, SKS A, SES, US125, AM 18, AM 22

