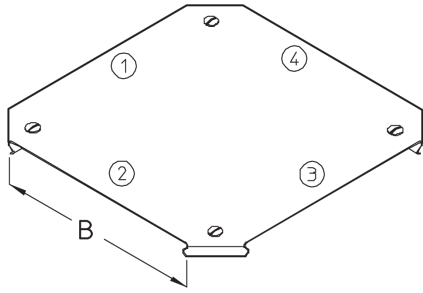


RKDR

Cable tray crossing cover with turning bolts



The cable tray crossing covers RKDR are suitable for RK cable tray crossings and protect them from dirt and moisture. They snap into place and interlock with the side rails and also have turning bolts for additional attachment. If the covers are to be used outdoors, additional securing brackets to protect against wind are required. In this case, the twist lock alone is not sufficient as a retaining element. We provide components in various materials and surface finishes to ensure that the corrosion requirements are met for all sorts of applications.

steel, continuously hot galvanized/Senzimir process

Products	B	W
RKDR 10S	106 mm	0,340 kg
RKDR 20S	206 mm	0,650 kg
RKDR 30S	306 mm	1,430 kg
RKDR 40S	406 mm	2,170 kg
RKDR 50S	506 mm	3,820 kg
RKDR 60S	606 mm	5,130 kg

steel, batch/hot-dip galvanized

Products	B	W
RKDR 10F	106 mm	0,380 kg
RKDR 20F	206 mm	0,720 kg
RKDR 30F	306 mm	1,580 kg
RKDR 40F	406 mm	2,390 kg
RKDR 50F	506 mm	4,200 kg
RKDR 60F	606 mm	5,640 kg

Stainless steel, according to ASTM 304 / BS 304 S 3

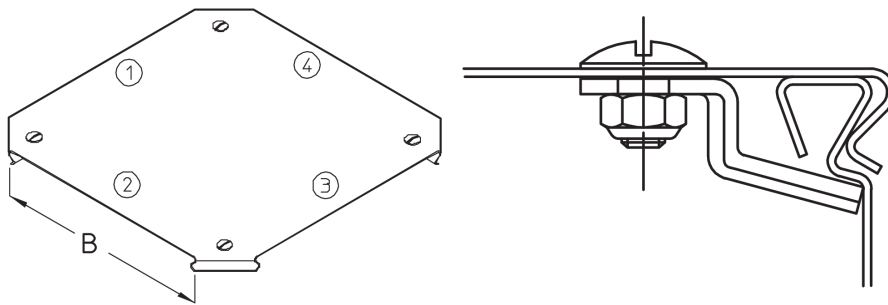


PRODUCT INFORMATION

Products	B	W
RKDR 10E	106 mm	0,360 kg
RKDR 20E	206 mm	0,690 kg
RKDR 30E	306 mm	1,440 kg
RKDR 40E	406 mm	2,180 kg
RKDR 50E	506 mm	3,690 kg
RKDR 60E	602 mm	4,960 kg

B: width
W: Weight per storage unit

DETAIL AND APPLICATION IMAGES



OPTIONAL ACCESSORIES

RD-SW

