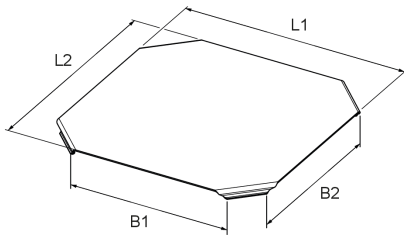


RIKDS

Installation cable tray crossing cover, heavy



The installation cable tray crossing covers RIKDS are suitable for RIK installation cable tray crossings and protect them from dirt and moisture. They snap into place and interlock with the side rails. If the covers are to be used outdoors, additional securing brackets to protect against wind are required. The cover is made of sendzimir hot-dip galvanized steel.

steel, continuously hot galvanized/Sendzimir process

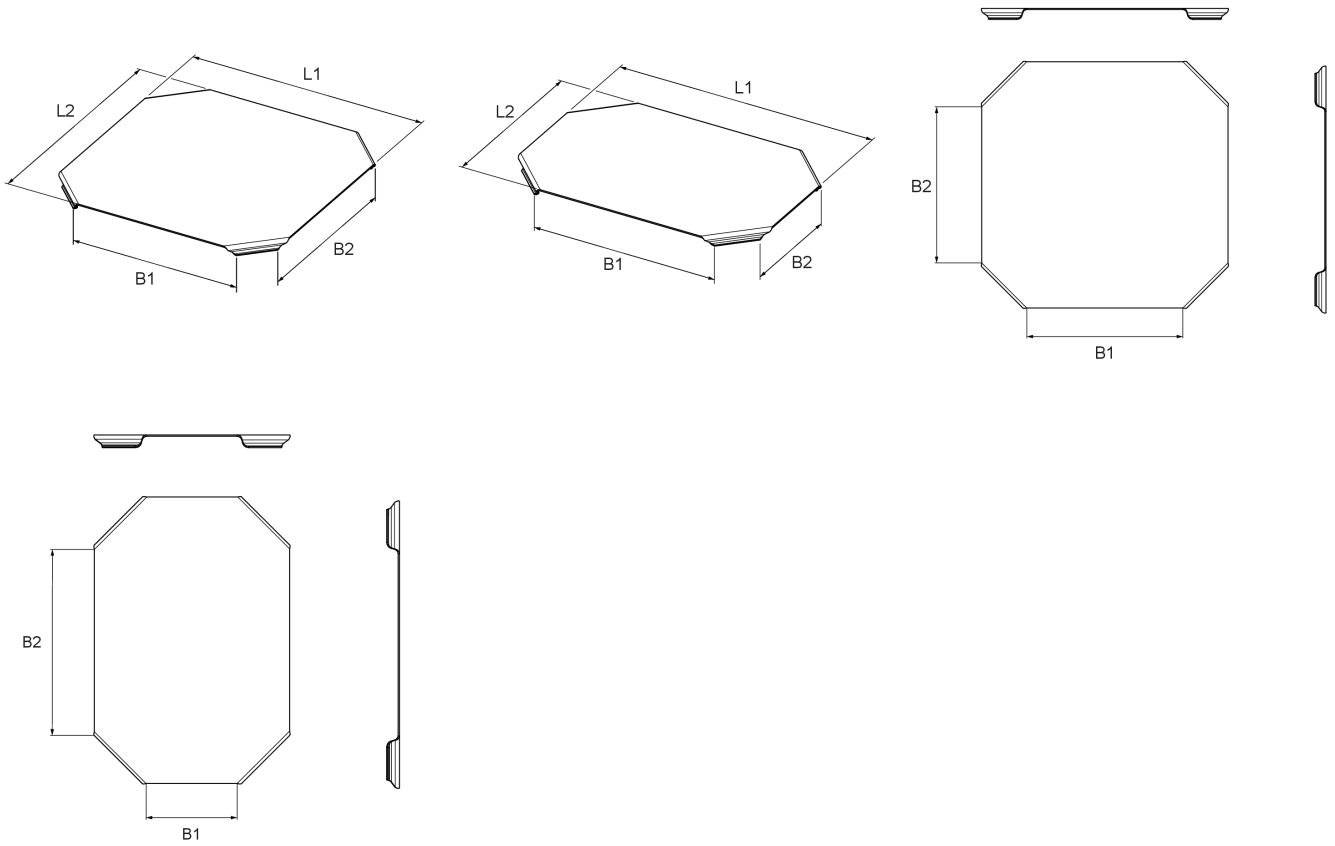
Products	B	B2	L	L2	weight
RIKDS 05S	56 mm	56 mm	164 mm	164 mm	0,290 kg
RIKDS 10S	106 mm	106 mm	214 mm	214 mm	0,510 kg
RIKDS 20S	206 mm	206 mm	314 mm	314 mm	1,130 kg
RIKDS 30S	306 mm	306 mm	414 mm	414 mm	1,990 kg
RIKDS 10-05S	106 mm	56 mm	214 mm	164 mm	0,380 kg
RIKDS 20-10S	206 mm	106 mm	314 mm	214 mm	0,760 kg
RIKDS 30-20S	306 mm	206 mm	414 mm	314 mm	1,500 kg

B: width
B2: width
L: length
L2: length 2

DETAIL AND APPLICATION IMAGES



PRODUCT INFORMATION



OPTIONAL ACCESSORIES

RD-SW

