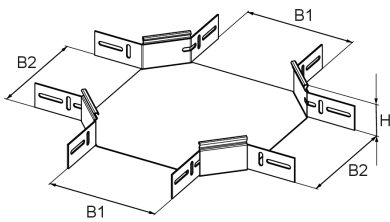


RIK 60

Installation cable tray crossing, height = 60 mm



The installation cable tray crossing RIK 60 enables of four cable trays to be connected to change the direction of cable routing horizontally. It has integrated side connectors and is pushed into the cable tray along with VB floor connectors and bolted in place. The crossing is suitable for installation cable trays with sides 60 mm high and is made of sendzimir hot-dip galvanised steel.

steel, continously hot galvanized/Sendzimir process

Products	H	B1	B2	W
RIK 60-05S	60 mm	50 mm	50 mm	1,174 kg
incl.:				
8 × FRSV 6X12, 8 × SEMS 6				
RIK 60-10S	60 mm	100 mm	100 mm	1,359 kg
incl.:				
8 × FRSV 6X12, 8 × SEMS 6				
RIK 60-20S	60 mm	200 mm	200 mm	1,878 kg
incl.:				
8 × FRSV 6X12, 8 × SEMS 6				
RIK 60-30S	60 mm	300 mm	300 mm	2,592 kg
incl.:				
8 × FRSV 6X12, 8 × SEMS 6				
RIK 60-10-05S	60 mm	100 mm	50 mm	1,254 kg
incl.:				
8 × FRSV 6X12, 8 × SEMS 6				
RIK 60-20-10S	60 mm	200 mm	100 mm	1,569 kg
incl.:				
8 × FRSV 6X12, 8 × SEMS 6				
RIK 60-30-20S	60 mm	300 mm	200 mm	2,186 kg
incl.:				
8 × FRSV 6X12, 8 × SEMS 6				

Page 1



PRODUCT INFORMATION

steel, batch/hot-dip galvanized

Products	H	B1	B2	W
RIK 60-05F	60 mm	50 mm	50 mm	1,260 kg
incl.: 8 × FRSV 6X12E, 8 × SEMS 6E				
RIK 60-10F	60 mm	100 mm	100 mm	1,458 kg
incl.: 8 × FRSV 6X12E, 8 × SEMS 6E				
RIK 60-20F	60 mm	200 mm	200 mm	2,014 kg
incl.: 8 × FRSV 6X12E, 8 × SEMS 6E				
RIK 60-30F	60 mm	300 mm	300 mm	2,778 kg
incl.: 8 × FRSV 6X12E, 8 × SEMS 6E				
RIK 60-10-05F	60 mm	100 mm	50 mm	1,346 kg
incl.: 8 × FRSV 6X12E, 8 × SEMS 6E				
RIK 60-20-10F	60 mm	200 mm	100 mm	1,683 kg
incl.: 8 × FRSV 6X12E, 8 × SEMS 6E				
RIK 60-30-20F	60 mm	300 mm	200 mm	2,343 kg
incl.: 8 × FRSV 6X12E, 8 × SEMS 6E				

Stainless steel, according to ASTM 304 / BS 304 S 3

Products	H	B1	B2	W
RIK 60-05E	60 mm	50 mm	50 mm	1,023 kg
incl.: 8 × FRSV 6X12E, 8 × SEMS 6E				
RIK 60-10E	60 mm	100 mm	100 mm	1,210 kg
incl.: 8 × FRSV 6X12E, 8 × SEMS 6E				
RIK 60-20E	60 mm	200 mm	200 mm	1,731 kg

Page 2



PohlCon GmbH
Nobelstraße 51 | 12057 Berlin
Telefon: +49 30 68283-04 | Fax: +49 30 68283-383 | contact@pohlcon.com

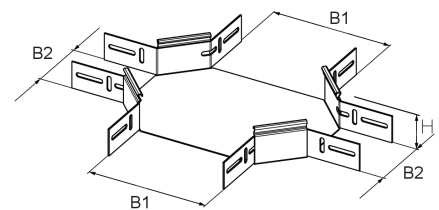
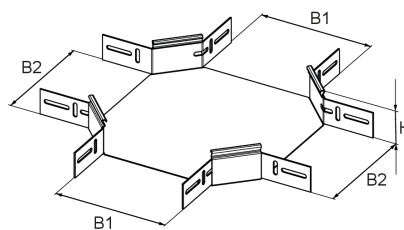
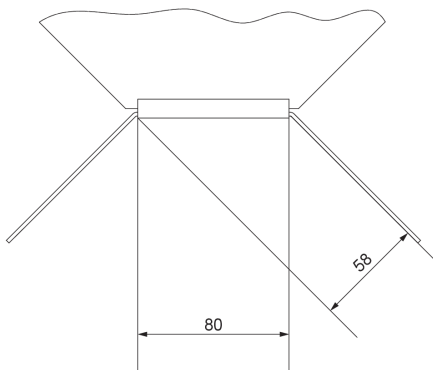


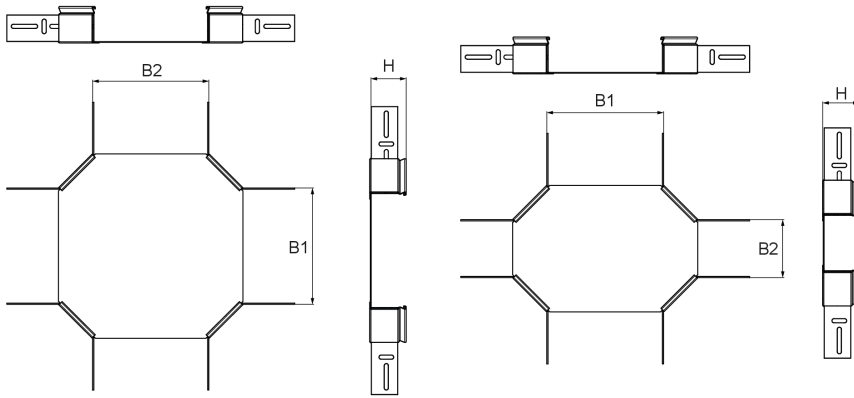
PRODUCT INFORMATION

Products	H	B1	B2	W
incl.: 8 × FRSV 6X12E, 8 × SEMS 6E				
RIK 60-30E	60 mm	300 mm	300 mm	2,450 kg
incl.: 8 × FRSV 6X12E, 8 × SEMS 6E				
RIK 60-10-05E	60 mm	100 mm	50 mm	1,104 kg
incl.: 8 × FRSV 6X12E, 8 × SEMS 6E				
RIK 60-20-10E	60 mm	200 mm	100 mm	1,421 kg
incl.: 8 × FRSV 6X12E, 8 × SEMS 6E				
RIK 60-30-20E	60 mm	300 mm	200 mm	2,041 kg
incl.: 8 × FRSV 6X12E, 8 × SEMS 6E				

H: height
B1: width
B2: width
W: Weight per storage unit

DETAIL AND APPLICATION IMAGES





OPTIONAL ACCESSORIES

RKD, RKDR, RIKDS, VB, RTRV 60

