

## RIDR

### Cable installation tray cover with turning bolts

The installation cable tray covers RIDR are suitable for installation cable trays and protect them from dirt and moisture. They snap into place and interlock on the side rails and also have turning bolts for additional attachment to the cable tray. If the covers are to be used outdoors, additional securing brackets to protect against wind are required. In this case, the twist lock alone is not sufficient as a retaining element. The cover is 50 to 300 mm wide corresponding to the channel and has a standard length of 3000 mm. We provide components in various materials and surface finishes to ensure that the corrosion requirements are met for all sorts of applications.

steel, continuously hot galvanized/Senzimir process

Products	B	L	t	weight
RIDR 05S	56 mm	3000 mm	0,75 mm	1,650 kg
RIDR 10S	106 mm	3000 mm	0,75 mm	2,510 kg
RIDR 15S	156 mm	3000 mm	0,75 mm	3,390 kg
RIDR 20S	206 mm	3000 mm	0,75 mm	4,280 kg
RIDR 30S	306 mm	3000 mm	1,00 mm	8,000 kg

steel, batch/hot-dip galvanized

Products	B	L	t	weight
RIDR 05F	56 mm	3000 mm	0,75 mm	1,700 kg
RIDR 10F	106 mm	3000 mm	0,75 mm	2,680 kg
RIDR 15F	156 mm	3000 mm	0,75 mm	3,620 kg
RIDR 20F	206 mm	3000 mm	0,75 mm	4,570 kg
RIDR 30F	306 mm	3000 mm	1,00 mm	8,570 kg

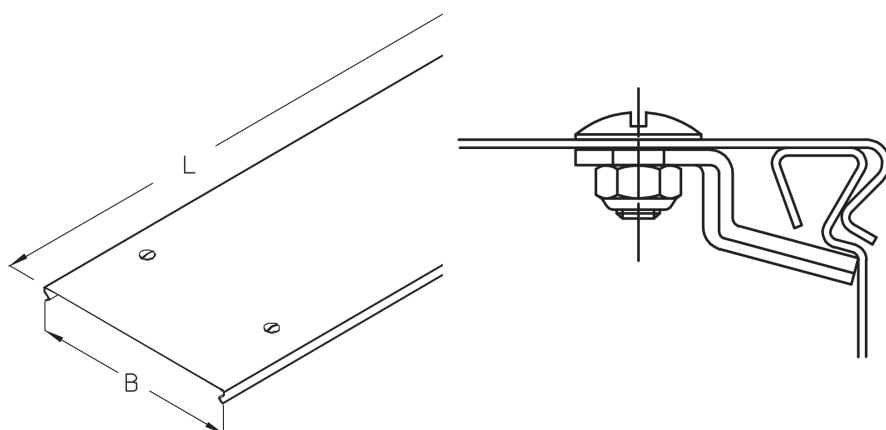
**B:** width  
**L:** length  
**t:** material thickness



# PRODUCT INFORMATION

---

## DETAIL AND APPLICATION IMAGES



## OPTIONAL ACCESSORIES

RD-SW

