

RID

Cable installation tray cover

The installation cable tray covers RID are suitable for installation cable trays and protect them from dirt and moisture. They snap into place and interlock with the side rails. If the covers are to be used outdoors, additional securing brackets to protect against wind are required. The cover is 50 to 300 mm wide corresponding to the channel and has a standard length of 3000 mm. We provide components in various materials and surface finishes to ensure that the corrosion requirements are met for all sorts of applications.

steel, continuously hot galvanized/Sendzimir process

Products	B	L	t	weight
RID 05S	56 mm	3000 mm	0,75 mm	1,520 kg
RID 10S	106 mm	3000 mm	0,75 mm	2,400 kg
RID 15S	156 mm	3000 mm	0,75 mm	3,290 kg
RID 20S	206 mm	3000 mm	0,75 mm	4,170 kg
RID 30S	306 mm	3000 mm	1,00 mm	7,910 kg

steel, batch/hot-dip galvanized

Products	B	L	t	weight
RID 05F	56 mm	3000 mm	0,75 mm	1,630 kg
RID 10F	106 mm	3000 mm	0,75 mm	2,570 kg
RID 15F	156 mm	3000 mm	0,75 mm	3,520 kg
RID 20F	206 mm	3000 mm	0,75 mm	4,460 kg
RID 30F	306 mm	3000 mm	1,00 mm	8,470 kg

Stainless steel, according to ASTM 304 / BS 304 S 3

Products	B	L	t	weight
RID 05E	56 mm	3000 mm	0,80 mm	1,501 kg

Page 1

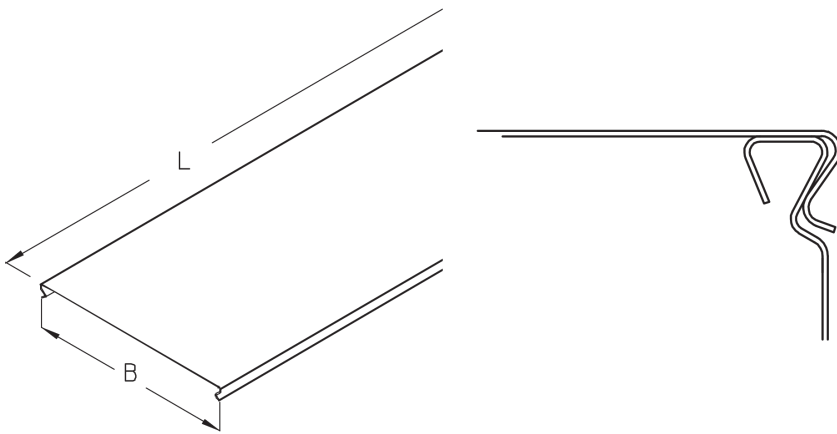


PRODUCT INFORMATION

Products	B	L	t	weight
RID 10E	106 mm	3000 mm	0,80 mm	2,580 kg
RID 15E	156 mm	3000 mm	0,80 mm	3,530 kg
RID 20E	206 mm	3000 mm	0,80 mm	4,470 kg
RID 30E	306 mm	3000 mm	1,00 mm	7,960 kg

B: width
L: length
t: material thickness

DETAIL AND APPLICATION IMAGES



OPTIONAL ACCESSORIES

RD-SW

