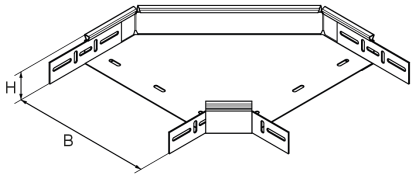


## RIB 60

Installation cable tray bend, height = 60 mm

The installation cable tray bends RIB 60 with integrated side connectors allow the direction of cable routing to be changed horizontally by 90°. They are suitable for RI installation cable trays with sides 60 mm high and are made of sendzimir hot-dip galvanized steel.



steel, continuously hot galvanized/Sendzimir process

Products	H	B			W
RIB 60-05S	60 mm	50 mm	90 °	HORIZONTAL	0,518 kg
incl.:					
4 × FRSV 6X12, 4 × SEMS 6					
RIB 60-10S	60 mm	100 mm	90 °	HORIZONTAL	0,731 kg
incl.:					
4 × FRSV 6X12, 4 × SEMS 6					
RIB 60-20S	60 mm	200 mm	90 °	HORIZONTAL	1,183 kg
incl.:					
4 × FRSV 6X12, 4 × SEMS 6					
RIB 60-30S	60 mm	300 mm	90 °	HORIZONTAL	1,863 kg
incl.:					
4 × FRSV 6X12, 4 × SEMS 6					

steel, batch/hot-dip galvanized

Products	H	B			W
RIB 60-05F	60 mm	50 mm	90 °	HORIZONTAL	0,556 kg
incl.:					
4 × FRSV 6X12E, 4 × SEMS 6E					
RIB 60-10F	60 mm	100 mm	90 °	HORIZONTAL	0,784 kg

Page 1



# PRODUCT INFORMATION

Products	H	B			W
incl.: 4 × FRSV 6X12E, 4 × SEMS 6E					
RIB 60-20F	60 mm	200 mm	90 °	HORIZONTAL	1,268 kg
incl.: 4 × FRSV 6X12E, 4 × SEMS 6E					
RIB 60-30F	60 mm	300 mm	90 °	HORIZONTAL	1,995 kg
incl.: 4 × FRSV 6X12E, 4 × SEMS 6E					

## Stainless steel, according to ASTM 304 / BS 304 S 3

Products	H	B			W
RIB 60-05E	60 mm	50 mm	90 °	HORIZONTAL	0,451 kg
incl.: 4 × FRSV 6X12E, 4 × SEMS 6E					
RIB 60-10E	60 mm	100 mm	90 °	HORIZONTAL	0,856 kg
incl.: 4 × FRSV 6X12E, 4 × SEMS 6E					
RIB 60-20E	60 mm	200 mm	90 °	HORIZONTAL	1,311 kg
incl.: 4 × FRSV 6X12E, 4 × SEMS 6E					
RIB 60-30E	60 mm	300 mm	90 °	HORIZONTAL	1,977 kg
incl.: 4 × FRSV 6X12E, 4 × SEMS 6E					

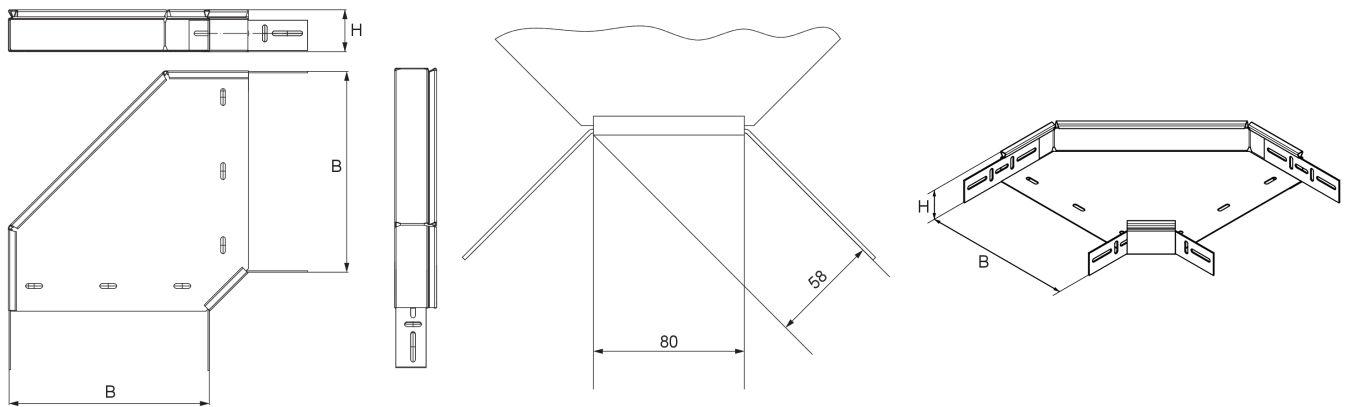
**H:** height  
**B:** width  
**W:** Weight per storage unit

## DETAIL AND APPLICATION IMAGES



# PRODUCT INFORMATION

---



## OPTIONAL ACCESSORIES

RBD, RBDR, RIBDS, VB, RTRV 60

