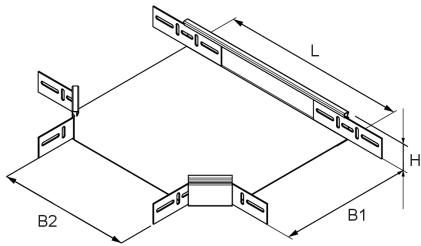


RIA 60

Installation cable tray branch, height = 60 mm



The installation cable tray branch RIA 60 allows the direction of cable routing to be changed horizontally in the form of a branch. It is inserted between two cable trays and enables another cable tray to be connected at right angles. The cable tray branch is suitable for installation cable trays with sides 60 mm high and is made of sendzimir hot-dip galvanised steel.

steel, continuously hot galvanized/Sendzimir process

Products	H	B	B2	W
RIA 60-05S	60 mm	50 mm	50 mm	0,913 kg
incl.:				
6 × FRSV 6X12, 6 × SEMS 6				
RIA 60-10S	60 mm	100 mm	100 mm	1,177 kg
incl.:				
6 × FRSV 6X12, 6 × SEMS 6				
RIA 60-20S	60 mm	200 mm	200 mm	1,515 kg
incl.:				
6 × FRSV 6X12, 6 × SEMS 6				
RIA 60-30S	60 mm	300 mm	300 mm	2,453 kg
incl.:				
6 × FRSV 6X12, 6 × SEMS 6				
RIA 60-10-05S	60 mm	100 mm	50 mm	0,994 kg
incl.:				
6 × FRSV 6X12, 6 × SEMS 6				
RIA 60-20-10S	60 mm	200 mm	100 mm	1,388 kg
incl.:				
6 × FRSV 6X12, 6 × SEMS 6				
RIA 60-30-20S	60 mm	300 mm	200 mm	2,027 kg
incl.:				
6 × FRSV 6X12, 6 × SEMS 6				

Page 1



PRODUCT INFORMATION

steel, batch/hot-dip galvanized

Products	H	B	B2	W
RIA 60-05F	60 mm	50 mm	50 mm	0,980 kg
incl.: 6 × FRSV 6X12E, 6 × SEMS 6E				
RIA 60-10F	60 mm	100 mm	100 mm	1,262 kg
incl.: 6 × FRSV 6X12E, 6 × SEMS 6E				
RIA 60-20F	60 mm	200 mm	200 mm	1,624 kg
incl.: 6 × FRSV 6X12E, 6 × SEMS 6E				
RIA 60-30F	60 mm	300 mm	300 mm	2,628 kg
incl.: 6 × FRSV 6X12E, 6 × SEMS 6E				
RIA 60-10-05F	60 mm	100 mm	50 mm	1,067 kg
incl.: 6 × FRSV 6X12E, 6 × SEMS 6E				
RIA 60-20-10F	60 mm	200 mm	100 mm	1,488 kg
incl.: 6 × FRSV 6X12E, 6 × SEMS 6E				
RIA 60-30-20F	60 mm	300 mm	200 mm	2,044 kg
incl.: 6 × FRSV 6X12E, 6 × SEMS 6E				

Stainless steel, according to ASTM 304 / BS 304 S 3

Products	H	B	B2	W
RIA 60-05E	60 mm	50 mm	50 mm	0,807 kg
incl.: 6 × FRSV 6X12E, 6 × SEMS 6E				
RIA 60-10E	60 mm	100 mm	100 mm	1,054 kg
incl.: 6 × FRSV 6X12E, 6 × SEMS 6E				
RIA 60-20E	60 mm	200 mm	200 mm	1,597 kg

Page 2



PohlCon GmbH
Nobelstraße 51 | 12057 Berlin
Telefon: +49 30 68283-04 | Fax: +49 30 68283-383 | contact@pohlcon.com

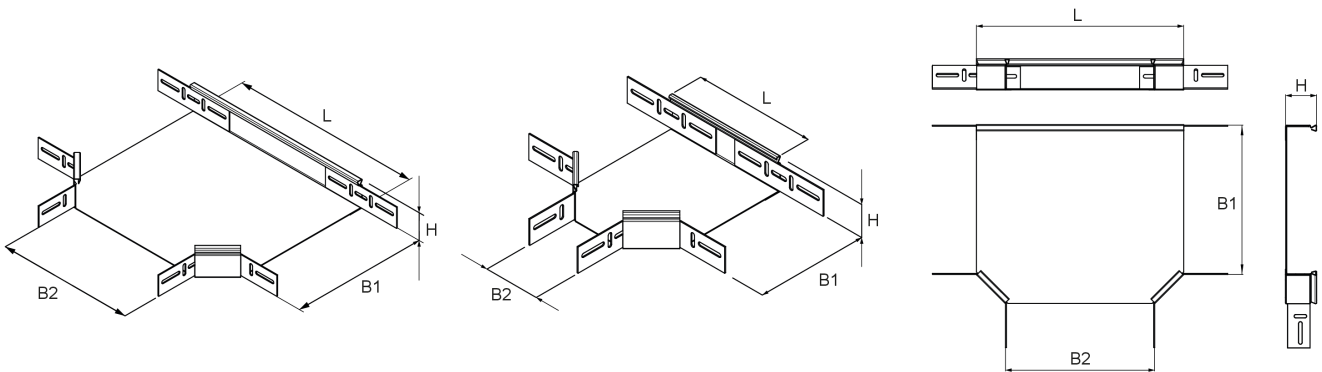


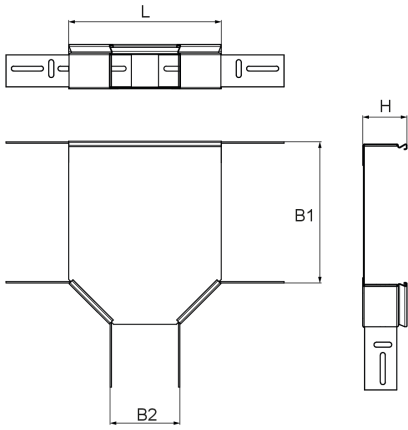
PRODUCT INFORMATION

Products	H	B	B2	W
incl.: 6 × FRSV 6X12E, 6 × SEMS 6E				
RIA 60-30E	60 mm	300 mm	300 mm	2,338 kg
incl.: 6 × FRSV 6X12E, 6 × SEMS 6E				
RIA 60-10-05E	60 mm	100 mm	50 mm	0,888 kg
incl.: 6 × FRSV 6X12E, 6 × SEMS 6E				
RIA 60-20-10E	60 mm	200 mm	100 mm	1,265 kg
incl.: 6 × FRSV 6X12E, 6 × SEMS 6E				
RIA 60-30-20E	60 mm	300 mm	200 mm	1,907 kg
incl.: 6 × FRSV 6X12E, 6 × SEMS 6E				

H: height
B: width
B2: width
W: Weight per storage unit

DETAIL AND APPLICATION IMAGES





OPTIONAL ACCESSORIES

RAD, RADR, RIADS, VB, RTRV 60

