

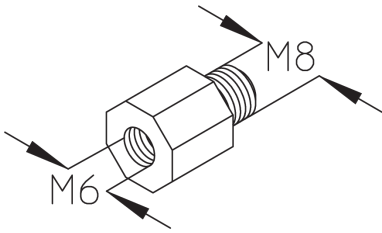
# PRODUCT INFORMATION

---

## RGW

### Reducing thread

The reducing thread RGW is used to bolt W cable clamps to MKD. We provide components in various materials and surface finishes to ensure that various corrosion protection requirements for different areas of application are met.



steel, galvanic zinc plated

---

Products	W
RGW 8/6	0,013 kg

---

Stainless steel, according to ASTM 304 / BS 304 S 3

---

Products	W
RGW 8/6E	0,013 kg

---

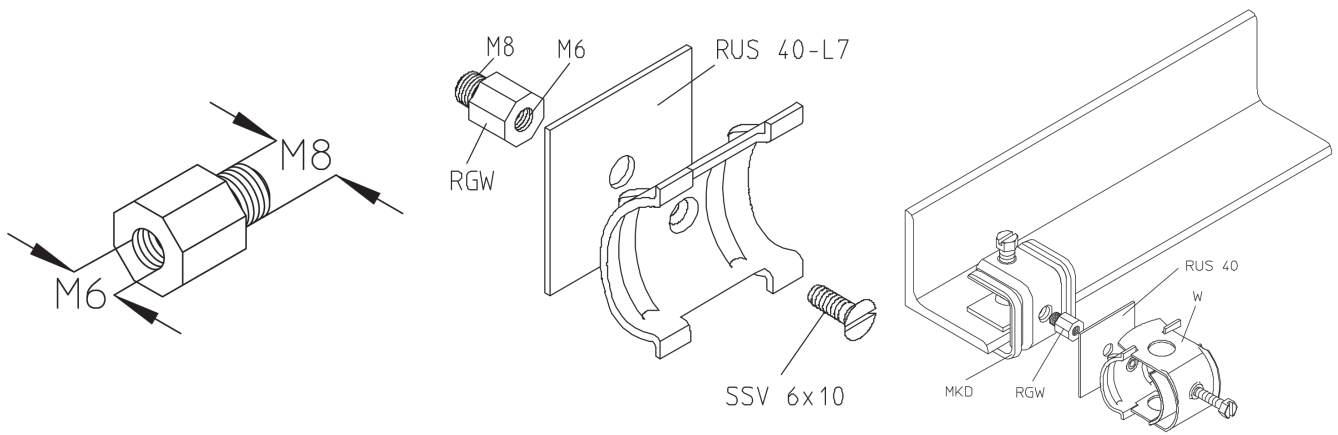
**W:** Weight per storage unit

## DETAIL AND APPLICATION IMAGES



# PRODUCT INFORMATION

---



## OPTIONAL ACCESSORIES

MKD

