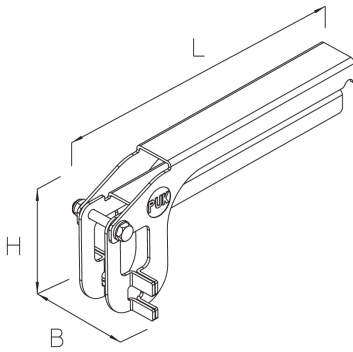


RGVST

RGVS assembly tool

The snap connector tool RGVST is used to quickly fit or remove the RGVS 60 snap connector from cable trays. The tool is made of plastic-coated, sendzimir hot-dip galvanised steel.



Products	H	B	L	t	color	weight
RGVST SB	92 mm	60 mm	208 mm	3,00 mm	7035	0,401 kg

H: height
B: width
L: length
t: material thickness

DETAIL AND APPLICATION IMAGES

