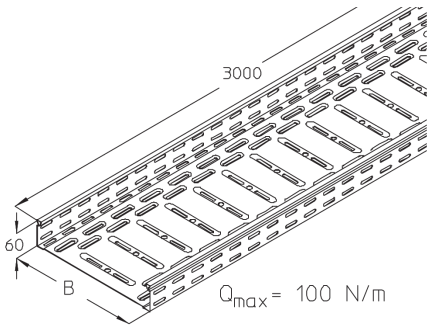


## RG 60

Cable tray, perforated, height = 60 mm, circuit integrity systems, system-specific



steel, continuously hot galvanized/Sendzimir process

Products	H	B	L	t	A	Q <sub>SK</sub>	W
RG 60-10S	60 mm	100 mm	3000 mm	0,75 mm	57 cm <sup>2</sup>	0,09 kN/m	4,300 kg
RG 60-20S	60 mm	200 mm	3000 mm	0,75 mm	117 cm <sup>2</sup>	0,18 kN/m	5,800 kg
RG 60-30S	60 mm	300 mm	3000 mm	0,75 mm	177 cm <sup>2</sup>	0,27 kN/m	7,400 kg
RG 60-40S	60 mm	400 mm	3000 mm	0,88 mm	237 cm <sup>2</sup>	0,36 kN/m	10,600 kg

steel, batch/hot-dip galvanized

Products	H	B	L	t	A	Q <sub>SK</sub>	W
RG 60-10F	60 mm	100 mm	3000 mm	0,75 mm	57 cm <sup>2</sup>	0,09 kN/m	4,800 kg
RG 60-20F	60 mm	200 mm	3000 mm	0,75 mm	117 cm <sup>2</sup>	0,18 kN/m	6,500 kg
RG 60-30F	60 mm	300 mm	3000 mm	0,75 mm	177 cm <sup>2</sup>	0,27 kN/m	8,300 kg
RG 60-40F	60 mm	400 mm	3000 mm	0,88 mm	237 cm <sup>2</sup>	0,36 kN/m	11,700 kg

**H:** height

**B:** width

**L:** length

**t:** material thickness

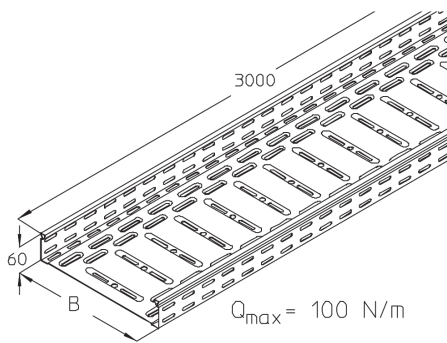
**A:** cross section area

**Q<sub>SK</sub>:** distributed load control cable

**W:** Weight per storage unit



## DETAIL AND APPLICATION IMAGES



## OPTIONAL ACCESSORIES

RAA-BS 60, RB-BS 60, RB-BS45 60, RGV-BS 60, VB-BS

