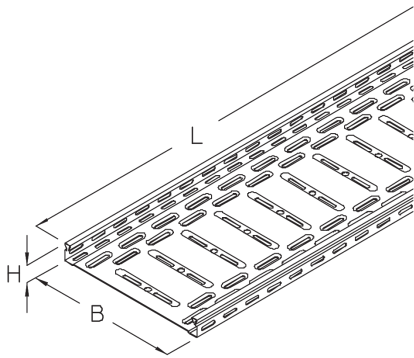


RG 35

Cable tray, perforated, height = 35 mm

The perforated cable trays RG 35 have sides 35 mm high and are available in widths from 50 to 300 mm. The standard length is 3000 mm. We provide components in various materials and surface finishes to ensure that the corrosion requirements are met for all sorts of applications.



steel, continuously hot galvanized/Sendzimir process

Products	H	B	L	t	A	Q _{SK}	weight
RG 35-05S	35 mm	50 mm	3000 mm	0,75 mm	15 cm ²	0,02 kN/m	2,620 kg
RG 35-10S	35 mm	100 mm	3000 mm	0,75 mm	32 cm ²	0,05 kN/m	3,500 kg
RG 35-20S	35 mm	200 mm	3000 mm	0,75 mm	67 cm ²	0,1 kN/m	5,200 kg
RG 35-30S	35 mm	300 mm	3000 mm	0,75 mm	102 cm ²	0,15 kN/m	6,000 kg

steel, batch/hot-dip galvanized

Products	H	B	L	t	A	Q _{SK}	weight
RG 35-05F	35 mm	50 mm	3000 mm	0,75 mm	15 cm ²	0,02 kN/m	2,937 kg
RG 35-10F	35 mm	100 mm	3000 mm	0,75 mm	32 cm ²	0,05 kN/m	3,820 kg
RG 35-20F	35 mm	200 mm	3000 mm	0,75 mm	67 cm ²	0,1 kN/m	5,600 kg
RG 35-30F	35 mm	300 mm	3000 mm	0,75 mm	102 cm ²	0,15 kN/m	7,600 kg

H: height

B: width

L: length

t: material thickness

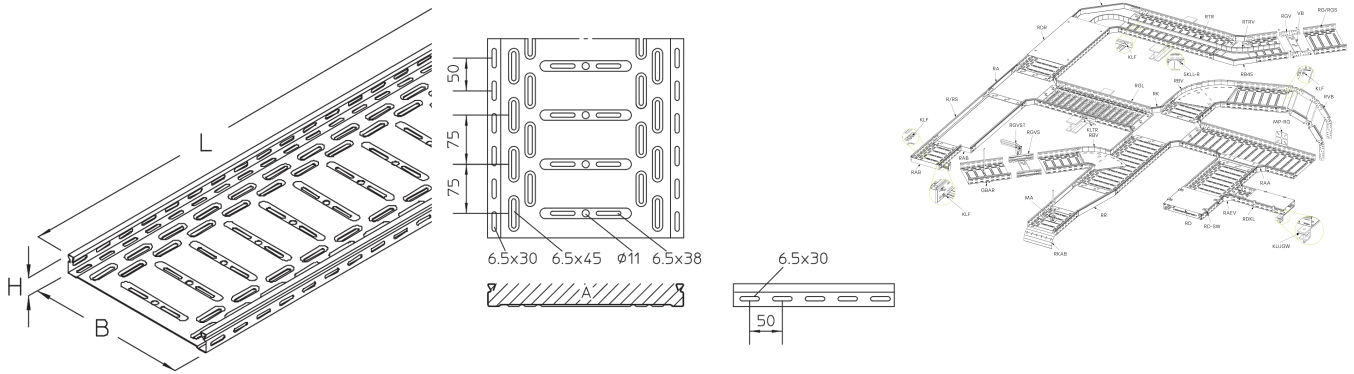
A: cross section area

Q_{SK}: distributed load control cable

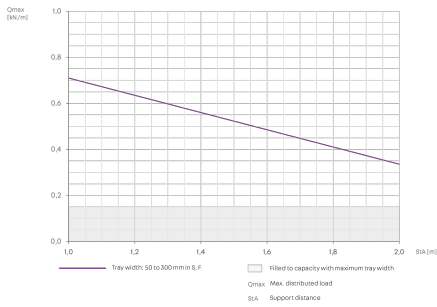


PRODUCT INFORMATION

DETAIL AND APPLICATION IMAGES



LOAD DIAGRAM



OPTIONAL ACCESSORIES

RD, RDR, RB 35, RB45 35, RBV 35, RAE 35, RAA 35, RA 35, RK 35, RVB 35, RR 35, RAB 35, REB, RGV 35, VB, RTR 35, RKAB

