

## RDSR

### Cable tray cover with turning bolts, heavy

The cable tray covers RDSR are suitable for all heavy-duty cable trays and protect them from dirt and moisture. They snap into place and interlock on the side rails and also have turning bolts for additional attachment to the cable tray. If the covers are to be used outdoors, additional securing brackets to protect against wind are required. In this case, the twist lock alone is not sufficient as a retaining element. The cover is from 100 to 600 mm wide corresponding to the tray and has a standard length of 3000 mm. It is made of sendzimir hot-dip galvanized steel.

steel, continuously hot galvanized/Sendzimir process

Products	B	L	t	W
RDSR 10S	107 mm	3000 mm	1,50 mm	4,970 kg
RDSR 20S	207 mm	3000 mm	1,50 mm	8,500 kg
RDSR 30S	307 mm	3000 mm	1,50 mm	12,030 kg
RDSR 40S	407 mm	3000 mm	1,50 mm	15,560 kg
RDSR 50S	507 mm	3000 mm	1,50 mm	19,100 kg
RDSR 60S	607 mm	3000 mm	1,50 mm	22,630 kg

**B:** width

**L:** length

**t:** material thickness

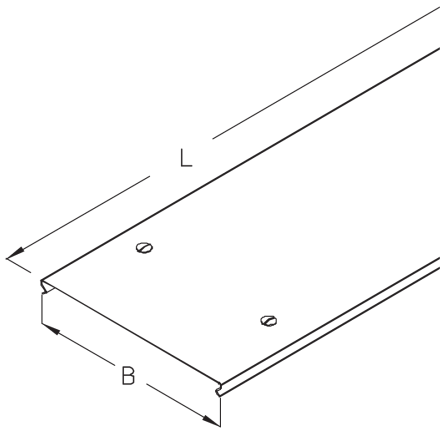
**W:** Weight per storage unit

## DETAIL AND APPLICATION IMAGES



# PRODUCT INFORMATION

---



## OPTIONAL ACCESSORIES

RD-SW

