

RDS

Cable tray cover, heavy

The cable tray covers RDS are suitable for all heavy-duty cable trays and protect them from dirt and moisture. They snap into place and interlock with the side rails. If the covers are to be used outdoors, additional securing brackets to protect against wind are required. The cover is 50 to 600 mm wide corresponding to the channel and has a standard length of 3000 mm. We provide components in various materials and surface finishes to ensure that the corrosion requirements are met for all sorts of applications.

steel, continuously hot galvanized/Sendzimir process

| Products | B | L | t | weight |
|----------|--------|---------|---------|-----------|
| RDS 05S | 50 mm | 3000 mm | 1,50 mm | 3,030 kg |
| RDS 10S | 107 mm | 3000 mm | 1,50 mm | 4,800 kg |
| RDS 20S | 207 mm | 3000 mm | 1,50 mm | 8,330 kg |
| RDS 30S | 307 mm | 3000 mm | 1,50 mm | 11,870 kg |
| RDS 40S | 407 mm | 3000 mm | 1,50 mm | 15,400 kg |
| RDS 50S | 507 mm | 3000 mm | 1,50 mm | 18,930 kg |
| RDS 60S | 607 mm | 3000 mm | 1,50 mm | 22,460 kg |

steel, batch/hot-dip galvanized

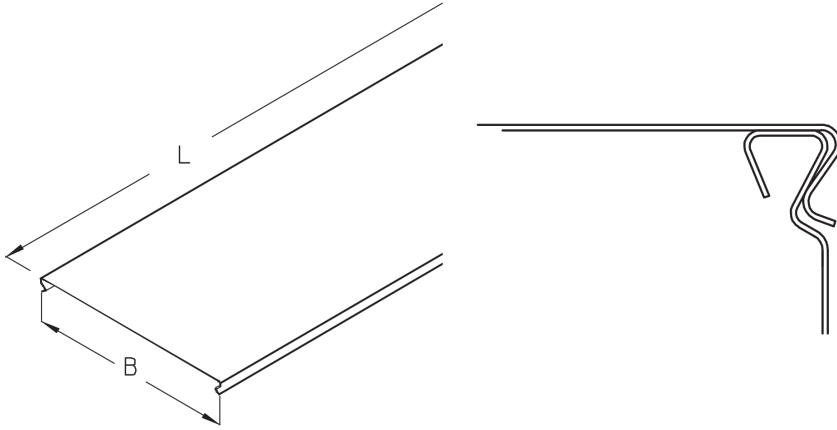
| Products | B | L | t | weight |
|----------|--------|---------|---------|-----------|
| RDS 05F | 50 mm | 3000 mm | 1,50 mm | 3,250 kg |
| RDS 10F | 107 mm | 3000 mm | 1,50 mm | 5,140 kg |
| RDS 20F | 207 mm | 3000 mm | 1,50 mm | 8,920 kg |
| RDS 30F | 307 mm | 3000 mm | 1,50 mm | 12,700 kg |
| RDS 40F | 407 mm | 3000 mm | 1,50 mm | 16,470 kg |
| RDS 50F | 507 mm | 3000 mm | 1,50 mm | 20,250 kg |
| RDS 60F | 607 mm | 3000 mm | 1,50 mm | 24,030 kg |



PRODUCT INFORMATION

B: width
L: length
t: material thickness

DETAIL AND APPLICATION IMAGES



OPTIONAL ACCESSORIES

RD-SW

