

## RDR

### Cable tray cover with turning bolts

The cable tray covers RDR are suitable for all heavy-duty cable trays and protect them from dirt and moisture. They snap into place and interlock on the side rails and also have turning bolts for additional attachment to the cable tray. If the covers are to be used outdoors, additional securing brackets to protect against wind are required. In this case, the twist lock alone is not sufficient as a retaining element. The cover is 50 to 600 mm side corresponding to the channel and has a standard length of 3000 mm. We provide components in various materials and surface finishes to ensure that the corrosion requirements are met for all sorts of applications.

#### steel, continuously hot galvanized/Senzimir process

Products	B	L	t	weight
RDR 05S	56 mm	3000 mm	0,75 mm	1,650 kg
RDR 10S	106 mm	3000 mm	0,75 mm	2,510 kg
RDR 15S	156 mm	3000 mm	0,75 mm	3,390 kg
RDR 20S	206 mm	3000 mm	0,75 mm	4,280 kg
RDR 30S	306 mm	3000 mm	1,00 mm	8,000 kg
RDR 40S	406 mm	3000 mm	1,00 mm	10,370 kg
RDR 50S	506 mm	3000 mm	1,25 mm	15,900 kg
RDR 60S	606 mm	3000 mm	1,25 mm	18,830 kg

#### steel, batch/hot-dip galvanized

Products	B	L	t	weight
RDR 05F	56 mm	3000 mm	0,75 mm	1,700 kg
RDR 10F	106 mm	3000 mm	0,75 mm	2,680 kg
RDR 15F	156 mm	3000 mm	0,75 mm	3,620 kg
RDR 20F	206 mm	3000 mm	0,75 mm	4,570 kg
RDR 30F	306 mm	3000 mm	1,00 mm	8,570 kg
RDR 40F	406 mm	3000 mm	1,00 mm	11,090 kg
RDR 50F	506 mm	3000 mm	1,25 mm	16,990 kg
RDR 60F	606 mm	3000 mm	1,25 mm	20,140 kg



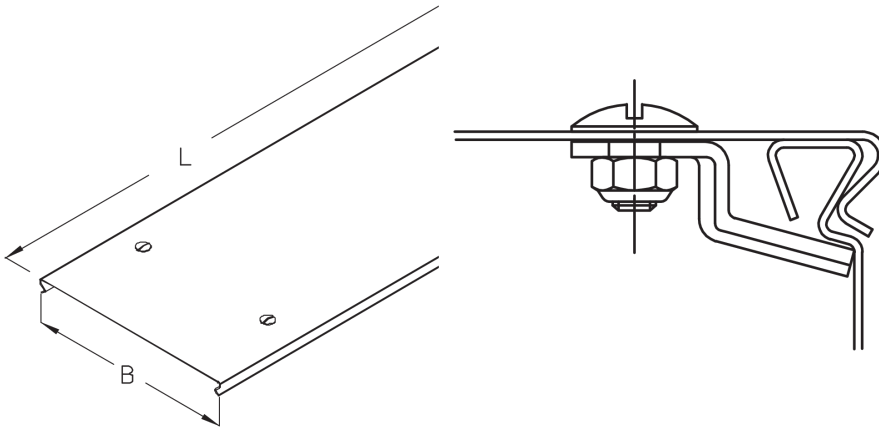
# PRODUCT INFORMATION

Stainless steel, according to ASTM 304 / BS 304 S 3

Products	B	L	t	weight
RDR 05E	56 mm	3000 mm	0,80 mm	1,650 kg
RDR 10E	106 mm	3000 mm	0,80 mm	2,690 kg
RDR 20E	206 mm	3000 mm	0,80 mm	4,580 kg
RDR 30E	306 mm	3000 mm	1,00 mm	8,070 kg
RDR 40E	406 mm	3000 mm	1,00 mm	10,440 kg
RDR 50E	506 mm	3000 mm	1,25 mm	15,980 kg
RDR 60E	606 mm	3000 mm	1,25 mm	18,950 kg

**B:** width  
**L:** length  
**t:** material thickness

## DETAIL AND APPLICATION IMAGES



## OPTIONAL ACCESSORIES

RD-SW

