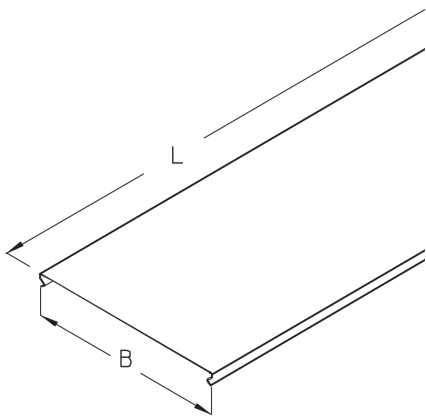


# PRODUCT INFORMATION



## RD

### Cable tray cover

The cable tray covers RD are suitable for all heavy-duty cable trays and protect them from dirt and moisture. They snap into place and interlock with the side rails. If the covers are to be used outdoors, additional securing brackets to protect against wind are required. The cover is 50 to 600 mm wide corresponding to the channel and has a standard length of 3000 mm. We provide components in various materials and surface finishes to ensure that the corrosion requirements are met for all sorts of applications.

### steel, continuously hot galvanized/Sendzimir process

Products	B	L	t	W
RD 05S	56 mm	3000 mm	0,75 mm	1,520 kg
RD 10S	106 mm	3000 mm	0,75 mm	2,400 kg
RD 15S	156 mm	3000 mm	0,75 mm	3,290 kg
RD 20S	206 mm	3000 mm	0,75 mm	4,170 kg
RD 30S	306 mm	3000 mm	1,00 mm	7,910 kg
RD 40S	406 mm	3000 mm	1,00 mm	10,270 kg
RD 50S	506 mm	3000 mm	1,25 mm	15,780 kg
RD 60S	606 mm	3000 mm	1,25 mm	18,720 kg

### steel, batch/hot-dip galvanized

Products	B	L	t	W
RD 05F	56 mm	3000 mm	0,75 mm	1,630 kg
RD 10F	106 mm	3000 mm	0,75 mm	2,570 kg
RD 15F	156 mm	3000 mm	0,75 mm	3,520 kg
RD 20F	206 mm	3000 mm	0,75 mm	4,460 kg
RD 30F	306 mm	3000 mm	1,00 mm	8,470 kg
RD 40F	406 mm	3000 mm	1,00 mm	10,990 kg
RD 50F	506 mm	3000 mm	1,25 mm	16,880 kg
RD 60F	606 mm	3000 mm	1,25 mm	20,000 kg



PohlCon GmbH  
Nobelstraße 51 | 12057 Berlin  
Telefon: +49 30 68283-04 | Fax: +49 30 68283-383 | [contact@pohlcon.com](mailto:contact@pohlcon.com)



# PRODUCT INFORMATION

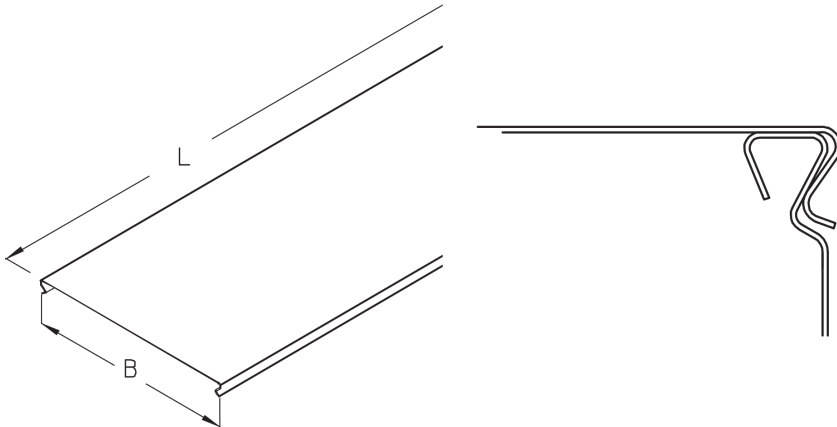
---

Stainless steel, according to ASTM 304 / BS 304 S 3

Products	B	L	t	W
RD 05E	56 mm	3000 mm	0,80 mm	1,630 kg
RD 10E	106 mm	3000 mm	0,80 mm	2,580 kg
RD 20E	206 mm	3000 mm	0,80 mm	4,470 kg
RD 30E	306 mm	3000 mm	1,00 mm	7,960 kg
RD 40E	406 mm	3000 mm	1,00 mm	10,330 kg
RD 50E	506 mm	3000 mm	1,25 mm	15,880 kg
RD 60E	606 mm	3000 mm	1,25 mm	18,840 kg

**B:** width  
**L:** length  
**t:** material thickness  
**W:** Weight per storage unit

## DETAIL AND APPLICATION IMAGES



## OPTIONAL ACCESSORIES

RD-SW

