

RD

Vertical ladder cover

The cover RD is suitable for LGG 60, STU 50 and STU 60 vertical ladders and protects them from dirt, moisture and tampering. It can only be mounted in conjunction with the STD-A cover elevator, which must be attached to the rails of the vertical ladder beforehand. The cover is then placed on top of the extension and bolted in place using self-tapping bolts. The cover is 50 to 600 mm wide corresponding to the ladder and a standard length of 3000 mm. We provide components in various materials and surface finishes to ensure that the corrosion requirements are met for all sorts of applications.

steel, continuously hot galvanized/Sendzimir process

Products	B	L	t	weight
RD 05S	56 mm	3000 mm	0,75 mm	1,520 kg
RD 10S	106 mm	3000 mm	0,75 mm	2,400 kg
RD 15S	156 mm	3000 mm	0,75 mm	3,290 kg
RD 20S	206 mm	3000 mm	0,75 mm	4,170 kg
RD 30S	306 mm	3000 mm	1,00 mm	7,910 kg
RD 40S	406 mm	3000 mm	1,00 mm	10,270 kg
RD 50S	506 mm	3000 mm	1,25 mm	15,780 kg
RD 60S	606 mm	3000 mm	1,25 mm	18,720 kg

steel, batch/hot-dip galvanized

Products	B	L	t	weight
RD 05F	56 mm	3000 mm	0,75 mm	1,630 kg
RD 10F	106 mm	3000 mm	0,75 mm	2,570 kg
RD 15F	156 mm	3000 mm	0,75 mm	3,520 kg
RD 20F	206 mm	3000 mm	0,75 mm	4,460 kg
RD 30F	306 mm	3000 mm	1,00 mm	8,470 kg
RD 40F	406 mm	3000 mm	1,00 mm	10,990 kg
RD 50F	506 mm	3000 mm	1,25 mm	16,880 kg
RD 60F	606 mm	3000 mm	1,25 mm	20,000 kg



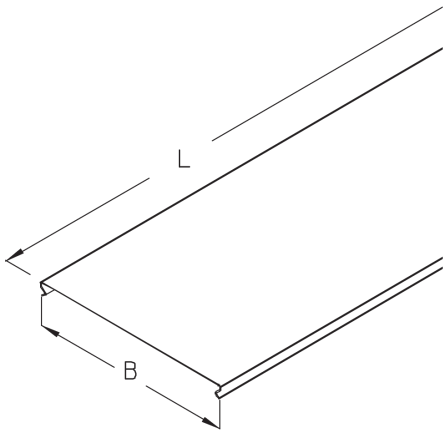
PRODUCT INFORMATION

Stainless steel, according to ASTM 304 / BS 304 S 3

Products	B	L	t	weight
RD 05E	56 mm	3000 mm	0,80 mm	1,630 kg
RD 10E	106 mm	3000 mm	0,80 mm	2,580 kg
RD 20E	206 mm	3000 mm	0,80 mm	4,470 kg
RD 30E	306 mm	3000 mm	1,00 mm	7,960 kg
RD 40E	406 mm	3000 mm	1,00 mm	10,330 kg
RD 50E	506 mm	3000 mm	1,25 mm	15,880 kg
RD 60E	606 mm	3000 mm	1,25 mm	18,840 kg

B: width
L: length
t: material thickness

DETAIL AND APPLICATION IMAGES



OPTIONAL ACCESSORIES

STD-A

