

RBDR45

Cable tray cover with turning bolts

The cable tray bend covers RBDR45 are suitable for RB45 cable tray bends and protect them from dirt and moisture. They snap into place and interlock with the side rails and also have turning bolts for additional attachment to the bend. If the covers are to be used outdoors, additional securing brackets to protect against wind are required. In this case, the twist lock alone is not sufficient as a retaining element. We provide components in various materials and surface finishes to ensure that the corrosion requirements are met for all sorts of applications.

steel, continuously hot galvanized/Sendzimir process

Products	B		W
RBDR45 10S	106 mm	HORIZONTAL	0,150 kg
RBDR45 20S	206 mm	HORIZONTAL	0,314 kg
RBDR45 30S	306 mm	HORIZONTAL	0,600 kg
RBDR45 40S	406 mm	HORIZONTAL	0,920 kg
RBDR45 50S	506 mm	HORIZONTAL	1,669 kg
RBDR45 60S	606 mm	HORIZONTAL	2,228 kg

steel, batch/hot-dip galvanized

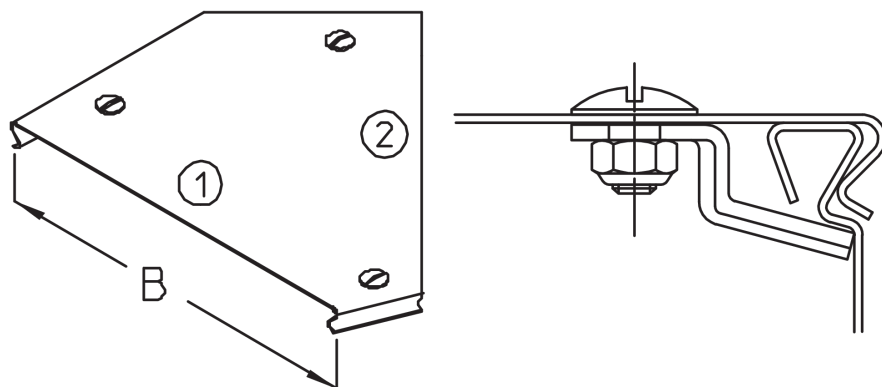
Products	B		W
RBDR45 10F	106 mm	HORIZONTAL	0,230 kg
RBDR45 20F	206 mm	HORIZONTAL	0,321 kg
RBDR45 30F	306 mm	HORIZONTAL	0,730 kg
RBDR45 40F	406 mm	HORIZONTAL	1,070 kg
RBDR45 50F	506 mm	HORIZONTAL	1,840 kg
RBDR45 60F	606 mm	HORIZONTAL	2,450 kg

B: width
W: Weight per storage unit



PRODUCT INFORMATION

DETAIL AND APPLICATION IMAGES



OPTIONAL ACCESSORIES

RD-SW

