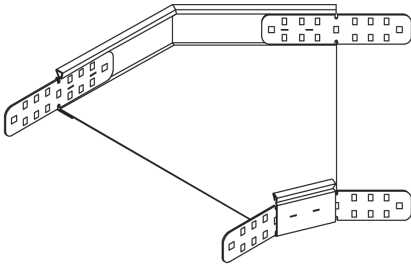


RB45 85

Cable tray bend, height = 85 mm



The cable tray bend RB45 85 allows the direction of cable routing to be changed horizontally by 45°. They are suitable for cable trays with sides 85 mm high and have integrated side connectors. The bend is inserted into the cable tray and bolted in place using a VB floor connector. We provide components in various materials and surface finishes to ensure that the corrosion requirements are met for all sorts of applications.

steel, continuously hot galvanized/Sendzimir process

Products	H	B			weight
RB45 85-10S	85 mm	100 mm	45 °	HORIZONTAL	0,951 kg
incl.:					
4 × KLR					
RB45 85-20S	85 mm	200 mm	45 °	HORIZONTAL	1,239 kg
incl.:					
4 × KLR					
RB45 85-30S	85 mm	300 mm	45 °	HORIZONTAL	1,727 kg
incl.:					
4 × KLR					
RB45 85-40S	85 mm	400 mm	45 °	HORIZONTAL	2,178 kg
incl.:					
4 × KLR					
RB45 85-50S	85 mm	500 mm	45 °	HORIZONTAL	2,712 kg
incl.:					
4 × KLR					
RB45 85-60S	85 mm	600 mm	45 °	HORIZONTAL	3,328 kg
incl.:					
4 × KLR					



PRODUCT INFORMATION

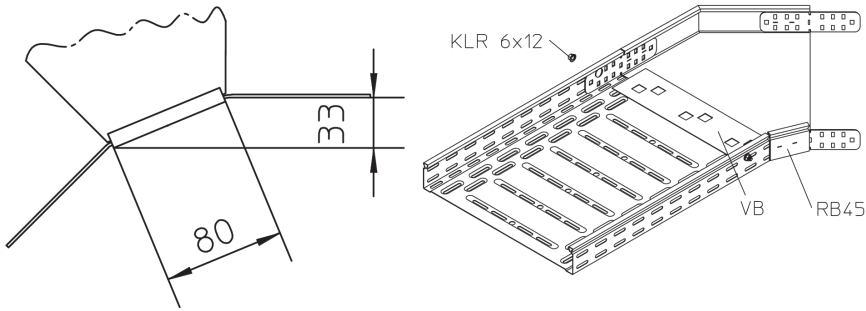
steel, batch/hot-dip galvanized

Products	H	B			weight
RB45 85-10F	85 mm	100 mm	45 °	HORIZONTAL	1,022 kg
incl.: 4 × KLR E					
RB45 85-20F	85 mm	200 mm	45 °	HORIZONTAL	1,330 kg
incl.: 4 × KLR E					
RB45 85-30F	85 mm	300 mm	45 °	HORIZONTAL	1,852 kg
incl.: 4 × KLR E					
RB45 85-40F	85 mm	400 mm	45 °	HORIZONTAL	2,835 kg
incl.: 4 × KLR E					
RB45 85-50F	85 mm	500 mm	45 °	HORIZONTAL	2,906 kg
incl.: 4 × KLR E					
RB45 85-60F	85 mm	600 mm	45 °	HORIZONTAL	3,565 kg
incl.: 4 × KLR E					

H: height
B: width

DETAIL AND APPLICATION IMAGES





OPTIONAL ACCESSORIES

RBD45, RBDR45, VB, RTRV 85

