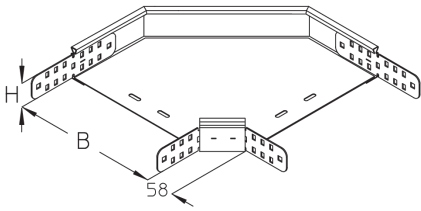


RB-BS 60

Cable tray bend, height = 60 mm, maintenance of function



steel, continuously hot galvanized/Sendzimir process

Products	H	B			weight
RB-BS 60-10S	60 mm	100 mm	90 °	HORIZONTAL	0,744 kg
incl.:					
4 × KLR					
RB-BS 60-20S	60 mm	200 mm	90 °	HORIZONTAL	1,021 kg
incl.:					
4 × KLR					
RB-BS 60-30S	60 mm	300 mm	90 °	HORIZONTAL	1,960 kg
incl.:					
4 × KLR					
RB-BS 60-40S	60 mm	400 mm	90 °	HORIZONTAL	2,693 kg
incl.:					
4 × KLR					
RB-BS 60-50S	60 mm	500 mm	90 °	HORIZONTAL	3,698 kg
incl.:					
4 × KLR					
RB-BS 60-60S	60 mm	600 mm	90 °	HORIZONTAL	4,816 kg
incl.:					
4 × KLR					



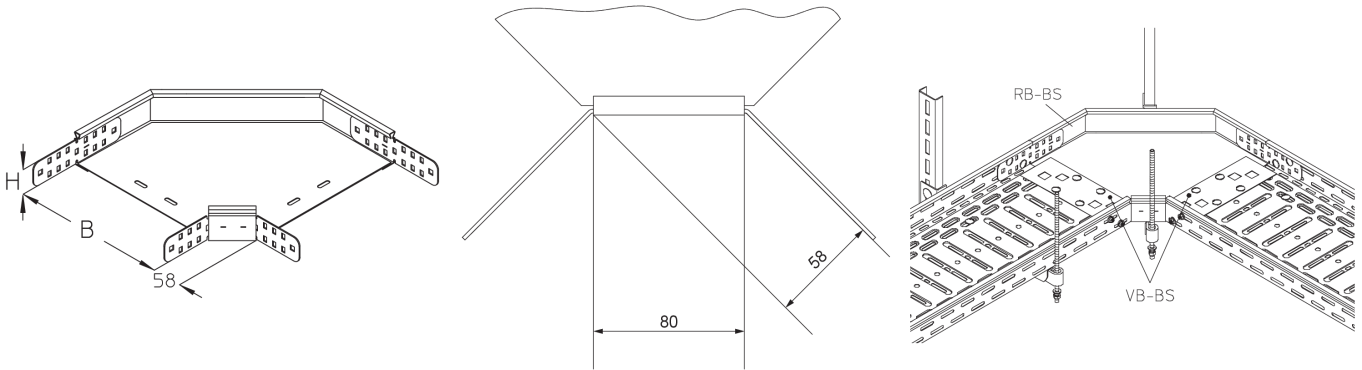
PRODUCT INFORMATION

steel, batch/hot-dip galvanized

Products	H	B			weight
RB-BS 60-10F	60 mm	100 mm	90 °	HORIZONTAL	0,850 kg
incl.:					
4 × KLR E					
RB-BS 60-20F	60 mm	200 mm	90 °	HORIZONTAL	1,334 kg
incl.:					
4 × KLR E					
RB-BS 60-30F	60 mm	300 mm	90 °	HORIZONTAL	2,053 kg
incl.:					
4 × KLR E					
RB-BS 60-40F	60 mm	400 mm	90 °	HORIZONTAL	2,886 kg
incl.:					
4 × KLR E					

H: height
B: width

DETAIL AND APPLICATION IMAGES



PRODUCT INFORMATION

