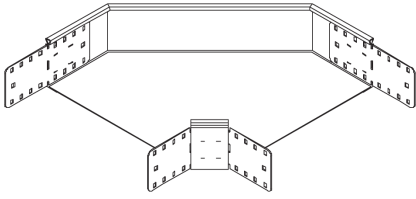


RB 85

Cable tray bend, height = 85 mm



The cable tray bend RB 85 allows the direction of cable routing to be changed horizontally by 90°. They are suitable for cable trays with sides 85 mm high and have integrated side connectors. The bend is inserted into the cable tray and bolted in place using a VB floor connector. We provide components in various materials and surface finishes to ensure that the corrosion requirements are met for all sorts of applications.

steel, continuously hot galvanized/Sendzimir process

Products	H	B			weight
RB 85-10S	85 mm	100 mm	90 °	HORIZONTAL	1,032 kg
incl.:					
4 × KLR					
RB 85-20S	85 mm	200 mm	90 °	HORIZONTAL	1,517 kg
incl.:					
4 × KLR					
RB 85-30S	85 mm	300 mm	90 °	HORIZONTAL	2,276 kg
incl.:					
4 × KLR					
RB 85-40S	85 mm	400 mm	90 °	HORIZONTAL	3,086 kg
incl.:					
4 × KLR					
RB 85-50S	85 mm	500 mm	90 °	HORIZONTAL	4,145 kg
incl.:					
4 × KLR					
RB 85-60S	85 mm	600 mm	90 °	HORIZONTAL	5,192 kg
incl.:					
4 × KLR					



PRODUCT INFORMATION

steel, batch/hot-dip galvanized

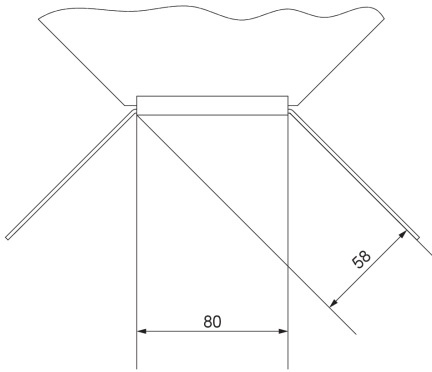
Products	H	B			weight
RB 85-10F	85 mm	100 mm	90 °	HORIZONTAL	1,108 kg
incl.: 4 × KLR E					
RB 85-20F	85 mm	200 mm	90 °	HORIZONTAL	1,627 kg
incl.: 4 × KLR E					
RB 85-30F	85 mm	300 mm	90 °	HORIZONTAL	2,439 kg
incl.: 4 × KLR E					
RB 85-40F	85 mm	400 mm	90 °	HORIZONTAL	3,306 kg
incl.: 4 × KLR E					
RB 85-50F	85 mm	500 mm	90 °	HORIZONTAL	4,439 kg
incl.: 4 × KLR E					
RB 85-60F	85 mm	600 mm	90 °	HORIZONTAL	5,560 kg
incl.: 4 × KLR E					

H: height

B: width

DETAIL AND APPLICATION IMAGES





OPTIONAL ACCESSORIES

RBD, RBDR, VB, RTRV 85

