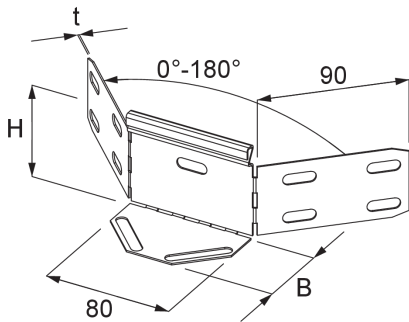


RAEV 85

Cable tray attachment corner, variable, height = 85 mm



The variable cable tray attachment corners RAEV 85 allow the direction of cable routing to be changed horizontally in the form of a branch or customised tray bend. The side rail of the main cable tray is cut out at the point where the connection cable tray will branch off as specified in the installation instructions. The variable cable tray attachment corners RAEV are pushed into the cable tray and bolted in place. The VB floor connector and the connection cable tray can then be attached. They are suitable for cable trays with side heights of 85 mm. The variable cable tray attachment corner is delivered in a flat state. Various materials and surfaces ensure that the corrosion requirements of a wide range of applications are met.

steel, continously hot galvanized/Sendzimir process

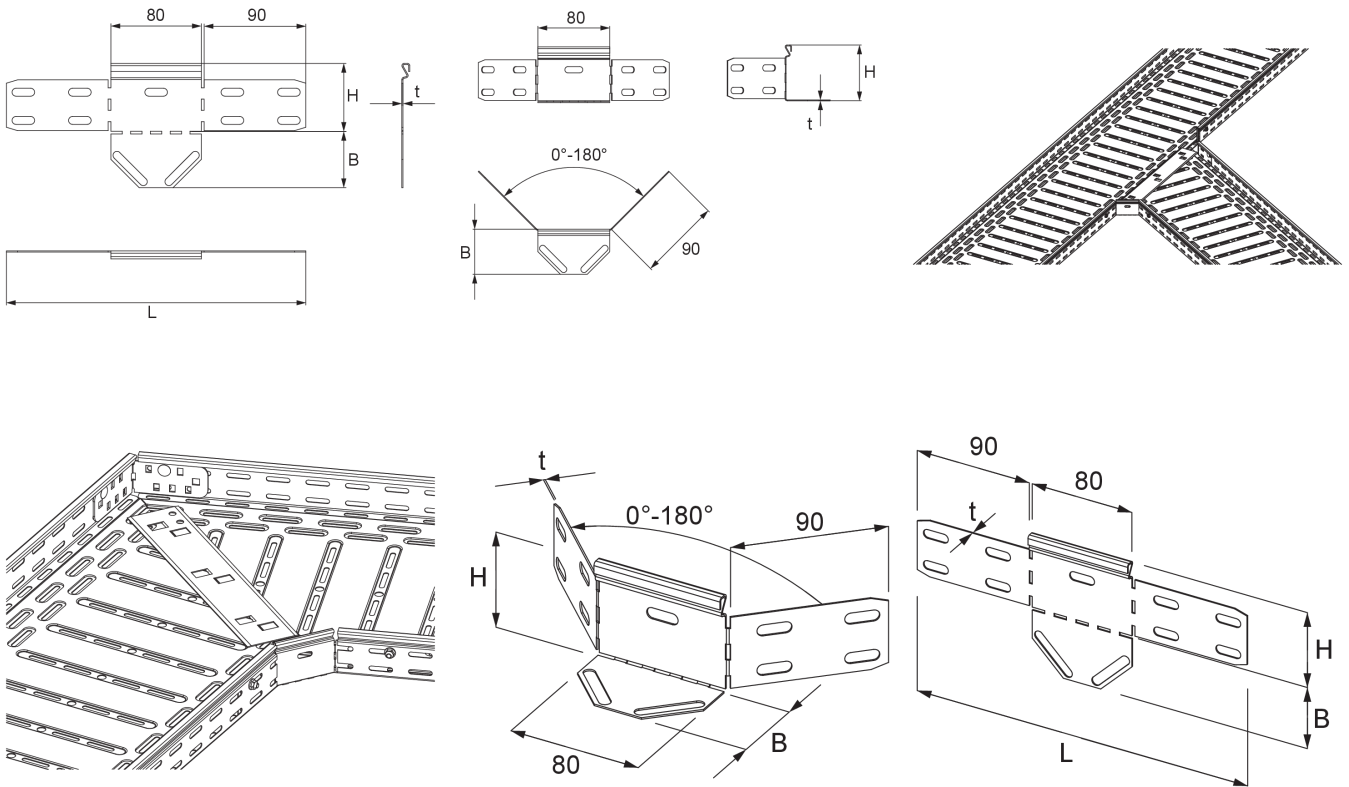
Products	H	B	L	t	weight
RAEV 85S	85 mm	50 mm	265 mm	1,00 mm	0,214 kg
incl.:					
6 × SEMS 6, 6 × FRSV 6X12					

H: height
B: width
L: length
t: material thickness

DETAIL AND APPLICATION IMAGES



PRODUCT INFORMATION



OPTIONAL ACCESSORIES

RAED, VB, RTRV 60

