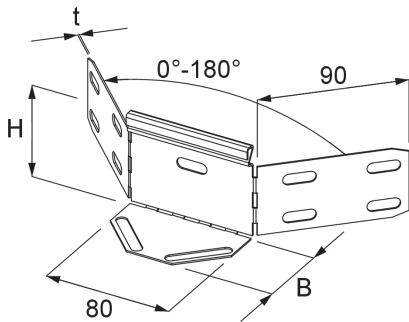


RAEV 60

Cable tray attachment corner, variable, height = 60 mm



The variable cable tray attachment corners RAEV 60 allow the direction of cable routing to be changed horizontally in the form of a branch or customised tray bend. The side rail of the main cable tray is cut out at the point where the connection cable tray will branch off as specified in the installation instructions. The variable cable tray attachment corners RAEV are pushed into the cable tray and bolted in place. The VB floor connector and the connection cable tray can then be attached. They are suitable for cable trays with side heights of 60 mm. The variable cable tray attachment corner is delivered in a flat state. Various materials and surfaces ensure that the corrosion requirements of a wide range of applications are met.

steel, continously hot galvanized/Sendzimir process

Products	H	B	L	t	W
RAEV 60S	60 mm	50 mm	265 mm	1,00 mm	0,162 kg
incl.:					
6 × SEMS 6, 6 × FRSV 6X12					

Stainless steel, according to ASTM 304 / BS 304 S 3

Products	H	B	L	t	W
RAEV 60E	60 mm	50 mm	265 mm	1,00 mm	0,169 kg
incl.:					
6 × SEMS 6E, 6 × FRSV 6X12E					

Stainless steel, according to ASTM 316 Ti / AISI 316 L, BS 320S17 / BS 316S11

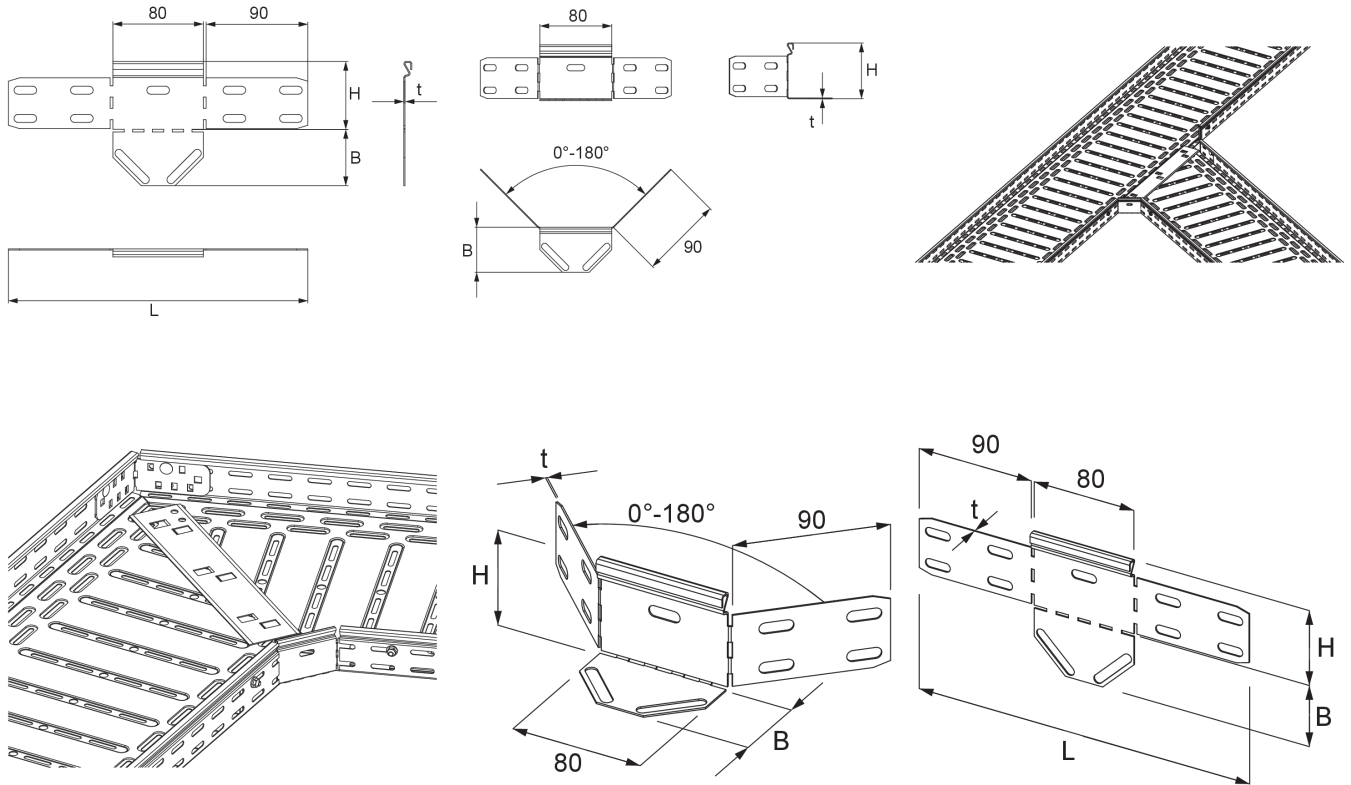
Products	H	B	L	t	W
RAEV 60E4	60 mm	50 mm	265 mm	1,00 mm	0,177 kg
incl.:					
6 × SEMSS 6E4, 6 × FRSV 6X12E4, 6 × US 6X12E4					



PRODUCT INFORMATION

H: height
B: width
L: length
t: material thickness
W: Weight per storage unit

DETAIL AND APPLICATION IMAGES



OPTIONAL ACCESSORIES

RAED, VB, RTRV 60

