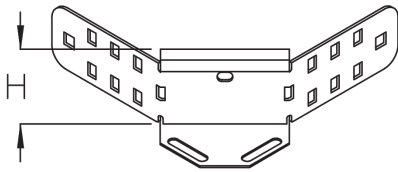


RAE 60

Cable tray attachment corner, height = 60 mm



The cable tray attachment corners RAE 60 allow the direction of cable routing to be changed horizontally in the form of a branch. The side rail of the main cable tray is cut out at the point where the connection cable tray will branch off as specified in the installation instructions. The RAE cable tray attachment corners are pushed into the cable tray and bolted in place. The VB floor connector and the connection cable tray can then be attached. RAE 60 cable tray attachment corners are suitable for cable trays with sides 60 mm high. We provide components in various materials and surface finishes to ensure that the corrosion requirements are met for all sorts of applications.

steel, continuously hot galvanized/Senzimir process

Products	H	W
RAE 60S	60 mm	0,281 kg
incl.:		
3 × KLR		

steel, batch/hot-dip galvanized

Products	H	W
RAE 60F	60 mm	0,304 kg
incl.:		
3 × KLR E		

Stainless steel, according to ASTM 304 / BS 304 S 3

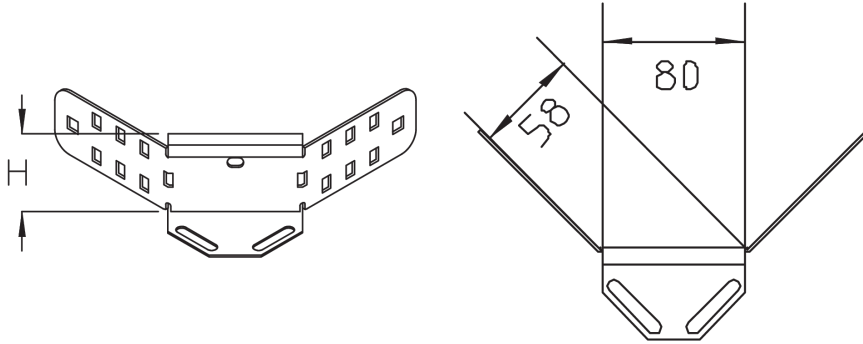
Products	H	W
RAE 60E	60 mm	0,249 kg
incl.:		
3 × KLR E		



PRODUCT INFORMATION

H: height
W: Weight per storage unit

DETAIL AND APPLICATION IMAGES



OPTIONAL ACCESSORIES

RAED, VB, RTRV 60

