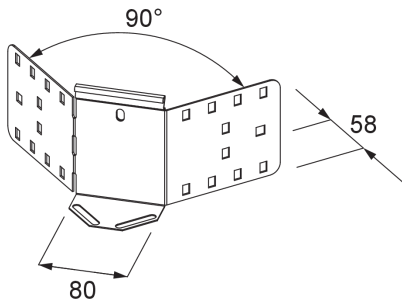


## RAE 110

Cable tray attachment corner, height = 110 mm



The cable tray attachment corners RAE 110 allow the direction of cable routing to be changed horizontally in the form of a branch. The side rail of the main cable tray is cut out at the point where the connection cable tray will branch off as specified in the installation instructions. The RAE cable tray attachment corners are pushed into the cable tray and bolted in place. The VB floor connector and the connection cable tray can then be attached. RAE 110 cable tray attachment corners are suitable for cable trays with sides 110 mm high. We provide components in various materials and surface finishes to ensure that the corrosion requirements are met for all sorts of applications.

steel, continously hot galvanized/Senzimir process

| Products | H      | W        |
|----------|--------|----------|
| RAE 110S | 110 mm | 0,583 kg |
| incl.:   |        |          |
| 3 × KLR  |        |          |

steel, batch/hot-dip galvanized

| Products  | H      | W        |
|-----------|--------|----------|
| RAE 110F  | 110 mm | 0,627 kg |
| incl.:    |        |          |
| 3 × KLR E |        |          |

Stainless steel, according to ASTM 304 / BS 304 S 3

| Products  | H      | W        |
|-----------|--------|----------|
| RAE 110E  | 110 mm | 4,348 kg |
| incl.:    |        |          |
| 3 × KLR E |        |          |

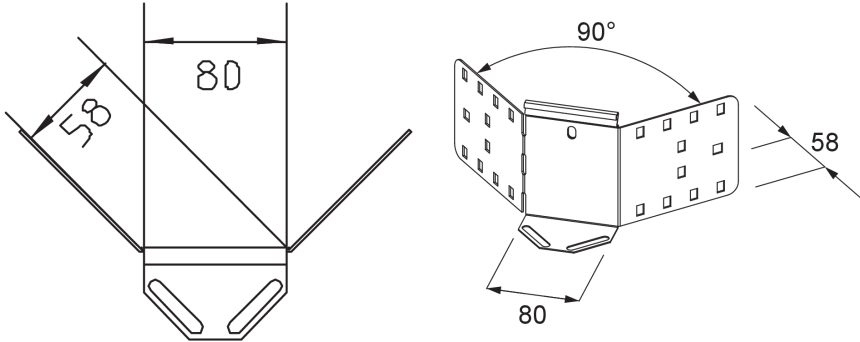


# PRODUCT INFORMATION

---

**H:** height  
**W:** Weight per storage unit

## DETAIL AND APPLICATION IMAGES



## OPTIONAL ACCESSORIES

RAED, VB, RTRV 110

