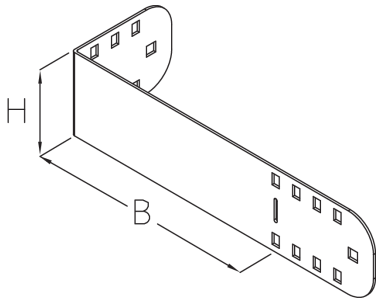


RAB 85

Cable tray end plate, height = 70 mm



The cable tray can be closed using the cable tray end plate RAB 85. To do so, bend the cable tray end plate into a U shape, push it into the cable tray and bolt it in place. A cable tray reducer can also be created by bending the end place in the shape of a Z as specified in the installation instructions. The cable tray end plate RAB 85 is 70 mm high corresponding to the tray and is 100 to 600 mm wide. We provide components in various materials and surface finishes to ensure that the corrosion requirements are met for all sorts of applications.

steel, continuously hot galvanized/Sendzimir process

Products	H	B	weight
RAB 85-10S	70 mm	100 mm	0,314 kg
incl.:			
2 × KLR			
RAB 85-20S	70 mm	200 mm	0,424 kg
incl.:			
2 × KLR			
RAB 85-30S	70 mm	300 mm	0,534 kg
incl.:			
2 × KLR			
RAB 85-40S	70 mm	400 mm	0,644 kg
incl.:			
2 × KLR			
RAB 85-50S	70 mm	500 mm	0,754 kg
incl.:			
2 × KLR			
RAB 85-60S	70 mm	600 mm	0,863 kg
incl.:			
2 × KLR			



PRODUCT INFORMATION

steel, batch/hot-dip galvanized

Products	H	B	weight
RAB 85-10F	70 mm	100 mm	0,338 kg
incl.: 2 × KLR E			
RAB 85-20F	70 mm	200 mm	0,456 kg
incl.: 2 × KLR E			
RAB 85-30F	70 mm	300 mm	0,573 kg
incl.: 2 × KLR E			
RAB 85-40F	70 mm	400 mm	0,691 kg
incl.: 2 × KLR E			
RAB 85-50F	70 mm	500 mm	0,809 kg
incl.: 2 × KLR E			
RAB 85-60F	70 mm	600 mm	0,925 kg
incl.: 2 × KLR E			

H: height

B: width

DETAIL AND APPLICATION IMAGES



PRODUCT INFORMATION

