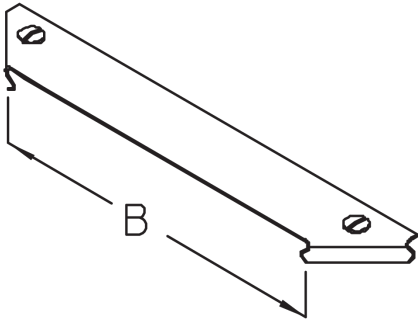


RAADR

Cable tray attachment branch cover with turning bolts

The RAADR cable tray attachment branch cover with turning bolts snaps into place, interlocks with the RAA cable tray attachment branch and protects it from dirt and moisture. We provide components in various materials and surface finishes to ensure that the corrosion requirements are met for all sorts of applications.



steel, continuously hot galvanized/Sendzimir process

Products	B	W
RAADR 10S	106 mm	0,110 kg
RAADR 20S	206 mm	0,147 kg
RAADR 30S	306 mm	0,230 kg
RAADR 40S	406 mm	0,270 kg
RAADR 50S	506 mm	0,390 kg
RAADR 60S	606 mm	0,450 kg

steel, batch/hot-dip galvanized

Products	B	W
RAADR 10F	106 mm	0,122 kg
RAADR 20F	206 mm	0,194 kg
RAADR 30F	306 mm	0,248 kg
RAADR 40F	406 mm	0,294 kg
RAADR 50F	506 mm	0,414 kg
RAADR 60F	606 mm	0,474 kg

Stainless steel, according to ASTM 304 / BS 304 S 3

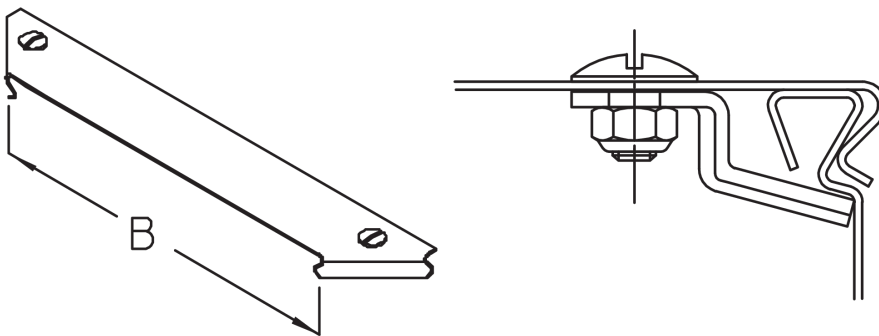


PRODUCT INFORMATION

Products	B	W
RAADR 10E	106 mm	0,110 kg
RAADR 20E	206 mm	0,150 kg
RAADR 30E	306 mm	0,230 kg
RAADR 40E	406 mm	0,280 kg
RAADR 50E	506 mm	0,390 kg
RAADR 60E	606 mm	0,450 kg

B: width
W: Weight per storage unit

DETAIL AND APPLICATION IMAGES



OPTIONAL ACCESSORIES

RD-SW

