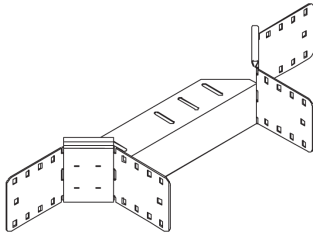


## RAA 85

Cable tray attachment branch, height = 85 mm



The RAA 85 cable tray attachment branch allows the direction of cable routing to be changed horizontally in the form of a branch. The side rail of the main cable tray is cut out at the point where the connection cable tray will branch off as specified in the installation instructions. The RAA attachment branch is positioned and bolted in place at this point. The VB floor connector and the connection cable tray can then be attached. The RAA 85 cable tray attachment branch is suitable for cable trays with sides 85 mm high. We provide components in various materials and surface finishes to ensure that the corrosion requirements are met for all sorts of applications.

steel, continuously hot galvanized/Senzimir process

Products	H	B	W
RAA 85-10S	85 mm	100 mm	0,981 kg
incl.:			
4 × KLR			
RAA 85-20S	85 mm	200 mm	1,112 kg
incl.:			
4 × KLR			
RAA 85-30S	85 mm	300 mm	1,245 kg
incl.:			
4 × KLR			
RAA 85-40S	85 mm	400 mm	1,381 kg
incl.:			
4 × KLR			
RAA 85-50S	85 mm	500 mm	1,508 kg
incl.:			
4 × KLR			
RAA 85-60S	85 mm	600 mm	1,644 kg
incl.:			
4 × KLR			



# PRODUCT INFORMATION

---

steel, batch/hot-dip galvanized

Products	H	B	W
RAA 85-10F	85 mm	100 mm	1,054 kg
incl.: 4 × KLR E			
RAA 85-20F	85 mm	200 mm	1,194 kg
incl.: 4 × KLR E			
RAA 85-30F	85 mm	300 mm	1,336 kg
incl.: 4 × KLR E			
RAA 85-40F	85 mm	400 mm	1,482 kg
incl.: 4 × KLR E			
RAA 85-50F	85 mm	500 mm	1,618 kg
incl.: 4 × KLR E			
RAA 85-60F	85 mm	600 mm	1,763 kg
incl.: 4 × KLR E			

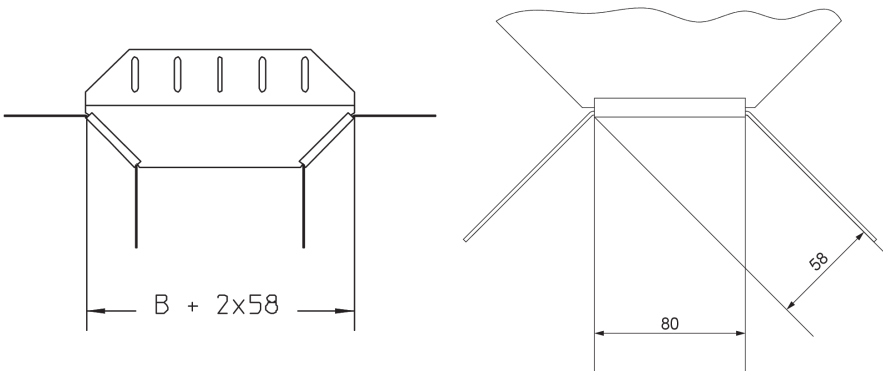
**H:** height  
**B:** width  
**W:** Weight per storage unit

## DETAIL AND APPLICATION IMAGES



# PRODUCT INFORMATION

---



## OPTIONAL ACCESSORIES

RAAD, RAADR, VB, RTRV 85

