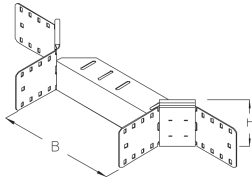


RAA 110

Cable tray attachment branch, height = 110 mm



The RAA 110 cable tray attachment branch allows the direction of cable routing to be changed horizontally in the form of a branch. The side rail of the main cable tray is cut out at the point where the connection cable tray will branch off as specified in the installation instructions. The RAA attachment branch is positioned and bolted in place at this point. The VB floor connector and the connection cable tray can then be attached. The RAA 110 cable tray attachment branch is suitable for cable trays with sides 110 mm high. We provide components in various materials and surface finishes to ensure that the corrosion requirements are met for all sorts of applications.

steel, continuously hot galvanized/Senzimir process

Products	H	B	W
RAA 110-10S	110 mm	100 mm	1,357 kg
incl.:			
4 × KLR			
RAA 110-20S	110 mm	200 mm	1,376 kg
incl.:			
4 × KLR			
RAA 110-30S	110 mm	300 mm	1,621 kg
incl.:			
4 × KLR			
RAA 110-40S	110 mm	400 mm	1,757 kg
incl.:			
4 × KLR			
RAA 110-50S	110 mm	500 mm	1,884 kg
incl.:			
4 × KLR			
RAA 110-60S	110 mm	600 mm	2,020 kg
incl.:			
4 × KLR			



PRODUCT INFORMATION

steel, batch/hot-dip galvanized

Products	H	B	W
RAA 110-10F	110 mm	100 mm	1,456 kg
incl.: 4 × KLR E			
RAA 110-20F	110 mm	200 mm	1,596 kg
incl.: 4 × KLR E			
RAA 110-30F	110 mm	300 mm	1,739 kg
incl.: 4 × KLR E			
RAA 110-40F	110 mm	400 mm	1,884 kg
incl.: 4 × KLR E			
RAA 110-50F	110 mm	500 mm	2,020 kg
incl.: 4 × KLR E			
RAA 110-60F	110 mm	600 mm	2,165 kg
incl.: 4 × KLR E			

Stainless steel, according to ASTM 304 / BS 304 S 3

Products	H	B	W
RAA 110-10E	110 mm	100 mm	1,145 kg
incl.: 4 × KLR E			
RAA 110-20E	110 mm	200 mm	1,276 kg
incl.: 4 × KLR E			
RAA 110-30E	110 mm	300 mm	1,410 kg
incl.: 4 × KLR E			
RAA 110-40E	110 mm	400 mm	1,546 kg

Page 2



PohlCon GmbH
Nobelstraße 51 | 12057 Berlin
Telefon: +49 30 68283-04 | Fax: +49 30 68283-383 | contact@pohlcon.com

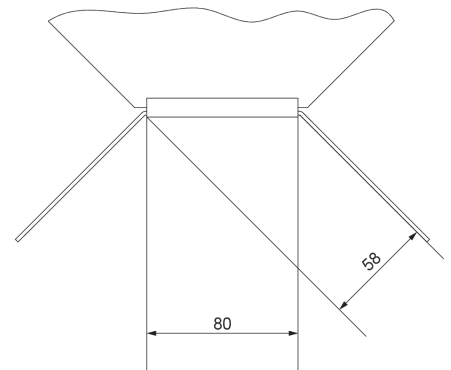
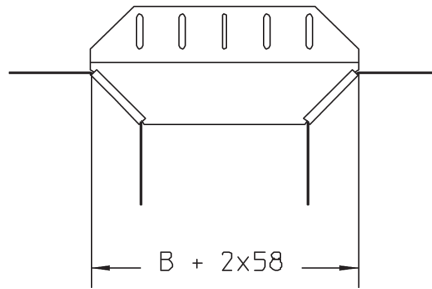
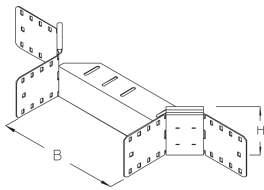


PRODUCT INFORMATION

Products	H	B	W
incl.: 4 × KLR E			
RAA 110-50E	110 mm	500 mm	1,675 kg
incl.: 4 × KLR E			
RAA 110-60E	110 mm	600 mm	1,812 kg
incl.: 4 × KLR E			

H: height
B: width
W: Weight per storage unit

DETAIL AND APPLICATION IMAGES



OPTIONAL ACCESSORIES

RAAD, RAADR, VB, RTRV 110

