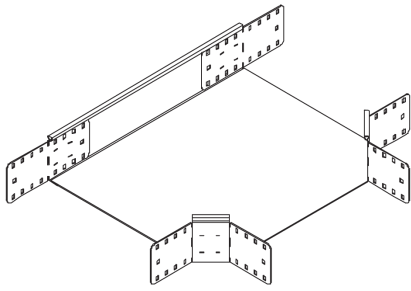


## RA 85

Cable tray branch, height = 85 mm



The cable tray branch RA 85 allows the direction of cable routing to be changed horizontally in the form of a branch. It is inserted between two cable trays and enables the connection of another cable tray at right angles. The cable tray branch is suitable for cable trays with sides 85 mm high. We provide components in various materials and surface finishes to ensure that the corrosion requirements are met for all sorts of applications.

steel, continuously hot galvanized/Sendzimir process

Products	H	B	L	weight
RA 85-10S	85 mm	100 mm	214 mm	1,653 kg
incl.:				
6 × KLR				
RA 85-20S	85 mm	200 mm	314 mm	2,213 kg
incl.:				
6 × KLR				
RA 85-30S	85 mm	300 mm	414 mm	2,968 kg
incl.:				
6 × KLR				
RA 85-40S	85 mm	400 mm	514 mm	3,920 kg
incl.:				
6 × KLR				
RA 85-50S	85 mm	500 mm	614 mm	5,068 kg
incl.:				
6 × KLR				
RA 85-60S	85 mm	600 mm	714 mm	6,412 kg
incl.:				
6 × KLR				



# PRODUCT INFORMATION

---

steel, batch/hot-dip galvanized

Products	H	B	L	weight
RA 85-10F	85 mm	100 mm	214 mm	1,793 kg
incl.: 6 × KLR E				
RA 85-20F	85 mm	200 mm	314 mm	2,374 kg
incl.: 6 × KLR E				
RA 85-30F	85 mm	300 mm	414 mm	3,182 kg
incl.: 6 × KLR E				
RA 85-40F	85 mm	400 mm	514 mm	4,201 kg
incl.: 6 × KLR E				
RA 85-50F	85 mm	500 mm	614 mm	5,429 kg
incl.: 6 × KLR E				
RA 85-60F	85 mm	600 mm	714 mm	6,867 kg
incl.: 6 × KLR E				

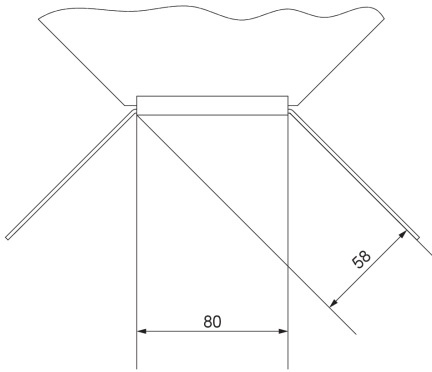
**H:** height

**B:** width

**L:** length

## DETAIL AND APPLICATION IMAGES





## OPTIONAL ACCESSORIES

RAD, RADR, VB, RTRV 85

