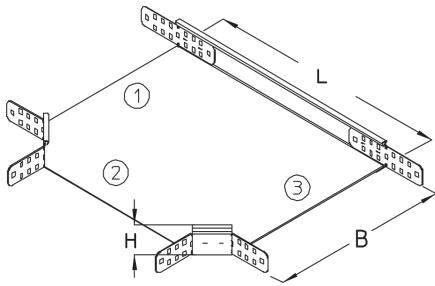


## RA 35

Cable tray branch, height = 35 mm

The cable tray branch RA 35 allows the direction of cable routing to be changed horizontally in the form of a branch. It is inserted between two cable trays and enables the connection of another cable tray at right angles. The cable tray branch is suitable for cable trays with sides 35 mm high. We provide components in various materials and surface finishes to ensure that the corrosion requirements are met for all sorts of applications.



steel, continuously hot galvanized/Senzimir process

Products	H	B	L	W
RA 35-05S	35 mm	50 mm	164 mm	0,602 kg
incl.:				
3 × KLR				
RA 35-10S	35 mm	100 mm	214 mm	0,767 kg
incl.:				
3 × KLR				
RA 35-20S	35 mm	200 mm	314 mm	1,287 kg
incl.:				
3 × KLR				
RA 35-30S	35 mm	300 mm	414 mm	2,003 kg
incl.:				
3 × KLR				

steel, batch/hot-dip galvanized

Products	H	B	L	W
RA 35-10F	35 mm	100 mm	214 mm	0,824 kg
incl.:				
3 × KLR E				
RA 35-20F	35 mm	200 mm	314 mm	1,380 kg

Page 1

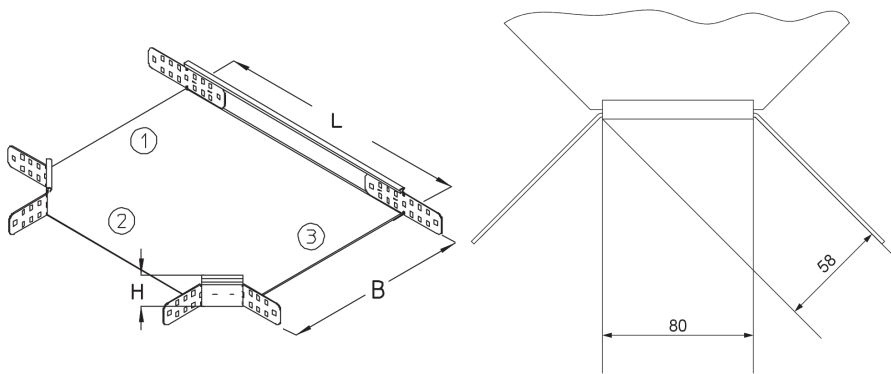


# PRODUCT INFORMATION

Products	H	B	L	W
incl.: 3 × KLR E				
RA 35-30F	35 mm	300 mm	414 mm	2,146 kg
incl.: 3 × KLR E				

**H:** height  
**B:** width  
**L:** length  
**W:** Weight per storage unit

## DETAIL AND APPLICATION IMAGES



## OPTIONAL ACCESSORIES

RAD, RADR, VB, RTRV 35

