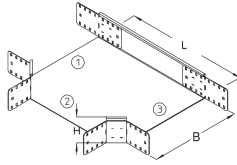


RA 110

Cable tray branch, height = 110 mm



The cable tray branch RA 110 allows the direction of cable routing to be changed horizontally in the form of a branch. It is inserted between two cable trays and enables the connection of another cable tray at right angles. The cable tray branch is suitable for cable trays with sides 110 mm high. We provide components in various materials and surface finishes to ensure that the corrosion requirements are met for all sorts of applications.

steel, continuously hot galvanized/Senzimir process

Products	H	B	L	weight
RA 110-10S	110 mm	100 mm	214 mm	2,237 kg
incl.:				
6 × KLR				
RA 110-20S	110 mm	200 mm	314 mm	2,916 kg
incl.:				
6 × KLR				
RA 110-30S	110 mm	300 mm	414 mm	3,691 kg
incl.:				
6 × KLR				
RA 110-40S	110 mm	400 mm	514 mm	4,663 kg
incl.:				
6 × KLR				
RA 110-50S	110 mm	500 mm	614 mm	5,831 kg
incl.:				
6 × KLR				
RA 110-60S	110 mm	600 mm	714 mm	7,194 kg
incl.:				
6 × KLR				

steel, batch/hot-dip galvanized



PRODUCT INFORMATION

Products	H	B	L	weight
RA 110-10F	110 mm	100 mm	214 mm	2,400 kg
incl.:				
6 × KLR E				
RA 110-20F	110 mm	200 mm	314 mm	3,126 kg
incl.:				
6 × KLR E				
RA 110-30F	110 mm	300 mm	414 mm	3,955 kg
incl.:				
6 × KLR E				
RA 110-40F	110 mm	400 mm	514 mm	4,996 kg
incl.:				
6 × KLR E				
RA 110-50F	110 mm	500 mm	614 mm	6,245 kg
incl.:				
6 × KLR E				
RA 110-60F	110 mm	600 mm	714 mm	7,704 kg
incl.:				
6 × KLR E				

Stainless steel, according to ASTM 304 / BS 304 S 3

Products	H	B	L	weight
RA 110-10E	110 mm	100 mm	214 mm	1,898 kg
incl.:				
6 × KLR E				
RA 110-20E	110 mm	200 mm	314 mm	2,557 kg
incl.:				
6 × KLR E				
RA 110-30E	110 mm	300 mm	414 mm	3,337 kg
incl.:				
6 × KLR E				
RA 110-40E	110 mm	400 mm	514 mm	4,315 kg

Page 2



PohlCon GmbH
Nobelstraße 51 | 12057 Berlin
Telefon: +49 30 68283-04 | Fax: +49 30 68283-383 | contact@pohlcon.com

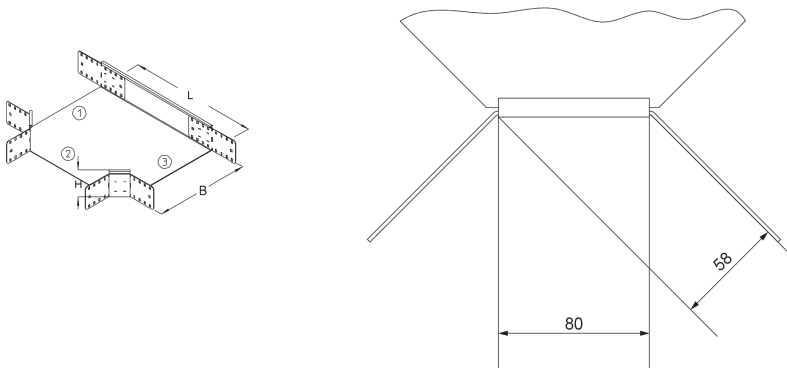


PRODUCT INFORMATION

Products	H	B	L	weight
incl.: 6 × KLR E				
RA 110-50E	110 mm	500 mm	614 mm	5,490 kg
incl.: 6 × KLR E				
RA 110-60E	110 mm	600 mm	714 mm	6,863 kg
incl.: 6 × KLR E				

H: height
B: width
L: length

DETAIL AND APPLICATION IMAGES



OPTIONAL ACCESSORIES

RAD, RADR, VB, RTRV 110

