

R 85

Cable tray, unperforated, height = 85 mm

R 85 unperforated cable trays have sides 85 mm high and are available in widths from 100 to 600 mm. The standard length is 3000 mm. We provide components in various materials and surface finishes to ensure that the corrosion requirements are met for all sorts of applications.



steel, continously hot galvanized/Sendzimir process

Products	H	B	L	t	A	Q _{SK}	weight
R 85-10S	85 mm	100 mm	3000 mm	0,75 mm	82 cm ²	0,12 kN/m	5,471 kg
R 85-20S	85 mm	200 mm	3000 mm	0,75 mm	167 cm ²	0,25 kN/m	7,238 kg
R 85-30S	85 mm	300 mm	3000 mm	0,88 mm	252 cm ²	0,38 kN/m	10,554 kg
R 85-40S	85 mm	400 mm	3000 mm	0,88 mm	337 cm ²	0,51 kN/m	12,616 kg
R 85-50S	85 mm	500 mm	3000 mm	1,00 mm	422 cm ²	0,63 kN/m	16,668 kg
R 85-60S	85 mm	600 mm	3000 mm	1,00 mm	507 cm ²	0,76 kN/m	19,023 kg

steel, batch/hot-dip galvanized

Products	H	B	L	t	A	Q _{SK}	weight
R 85-10F	85 mm	100 mm	3000 mm	0,75 mm	82 cm ²	0,12 kN/m	6,134 kg
R 85-20F	85 mm	200 mm	3000 mm	0,75 mm	167 cm ²	0,25 kN/m	8,114 kg
R 85-30F	85 mm	300 mm	3000 mm	0,88 mm	252 cm ²	0,38 kN/m	11,636 kg
R 85-40F	85 mm	400 mm	3000 mm	0,88 mm	337 cm ²	0,51 kN/m	13,919 kg
R 85-50F	85 mm	500 mm	3000 mm	1,00 mm	422 cm ²	0,63 kN/m	18,183 kg
R 85-60F	85 mm	600 mm	3000 mm	1,00 mm	507 cm ²	0,76 kN/m	20,751 kg

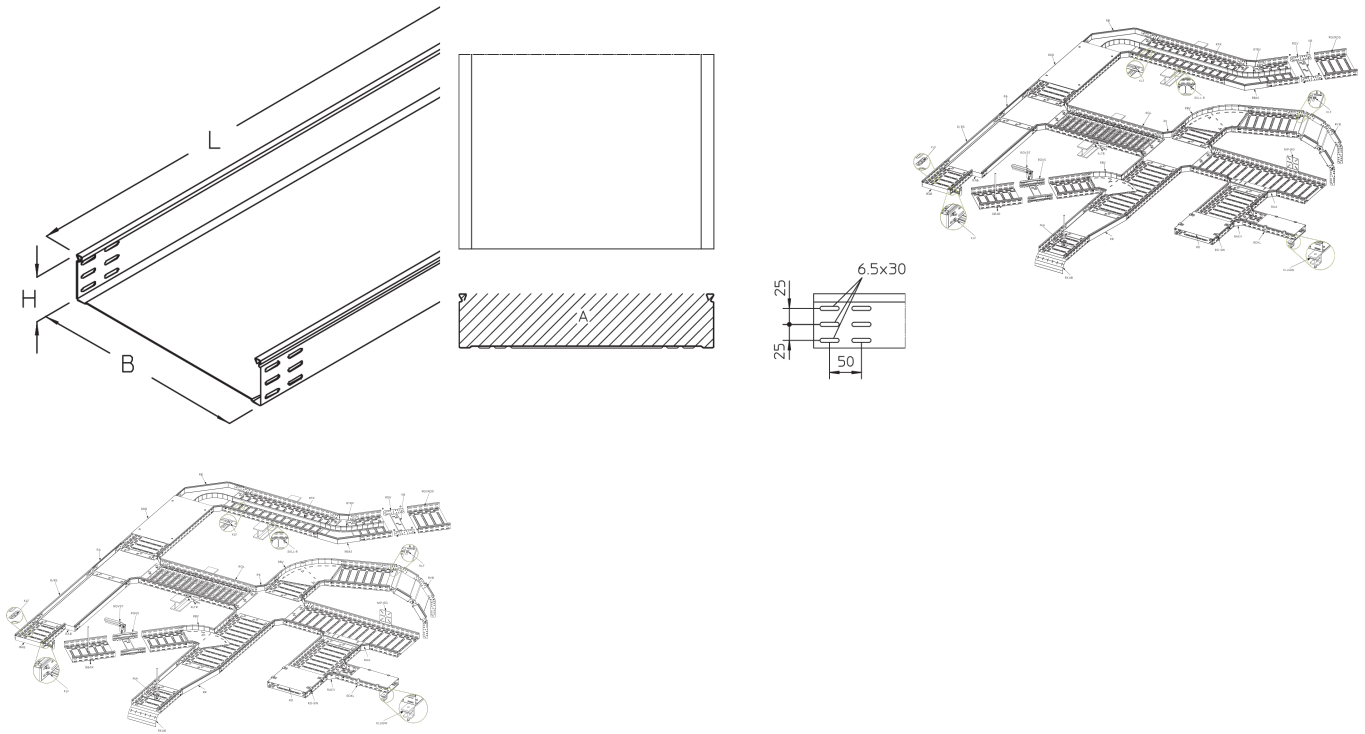
H: height
B: width
L: length



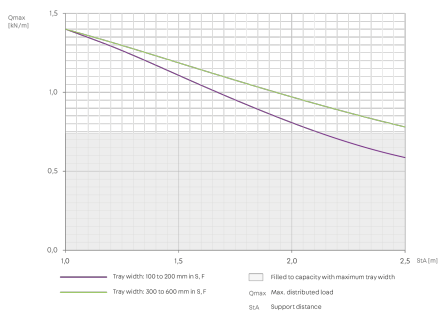
PRODUCT INFORMATION

t: material thickness
A: cross section area
Q_{SK}: distributed load control cable

DETAIL AND APPLICATION IMAGES



LOAD DIAGRAM



OPTIONAL ACCESSORIES

RD, RDR, RB 85, RB45 85, RBV 85, RAE 85, RAA 85, RA 85, RK 85, RVB 85, RR 85, RAB 85, REB, RGV 85, VB, RTR 85

