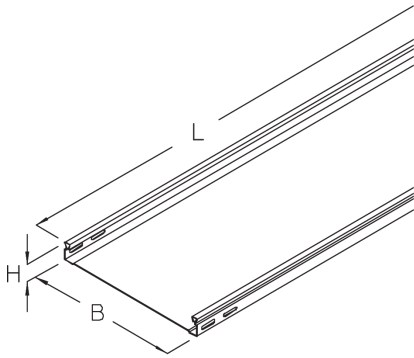


## R 35

Cable tray, unperforated, height = 35 mm

The unperforated cable trays R 35 have sides 35 mm high and are available in widths from 50 to 300 mm. The standard length is 3000 mm. We provide components in various materials and surface finishes to ensure that the corrosion requirements are met for all sorts of applications.



steel, continuously hot galvanized/Sendzimir process

Products	H	B	L	t	A	Q <sub>SK</sub>	W
R 35-05S	60 mm	50 mm	3000 mm	0,75 mm	15 cm <sup>2</sup>	0,02 kN/m	2,850 kg
R 35-10S	35 mm	100 mm	3000 mm	0,75 mm	32 cm <sup>2</sup>	0,05 kN/m	3,731 kg
R 35-20S	35 mm	200 mm	3000 mm	0,75 mm	67 cm <sup>2</sup>	0,1 kN/m	5,498 kg
R 35-30S	35 mm	300 mm	3000 mm	0,75 mm	102 cm <sup>2</sup>	0,15 kN/m	7,264 kg

steel, batch/hot-dip galvanized

Products	H	B	L	t	A	Q <sub>SK</sub>	W
R 35-05F	35 mm	50 mm	3000 mm	0,75 mm	15 cm <sup>2</sup>	0,02 kN/m	3,200 kg
R 35-10F	35 mm	100 mm	3000 mm	0,75 mm	32 cm <sup>2</sup>	0,05 kN/m	4,183 kg
R 35-20F	35 mm	200 mm	3000 mm	0,75 mm	67 cm <sup>2</sup>	0,1 kN/m	6,164 kg
R 35-30F	35 mm	300 mm	3000 mm	0,75 mm	102 cm <sup>2</sup>	0,15 kN/m	8,144 kg

**H:** height

**B:** width

**L:** length

**t:** material thickness

**A:** cross section area

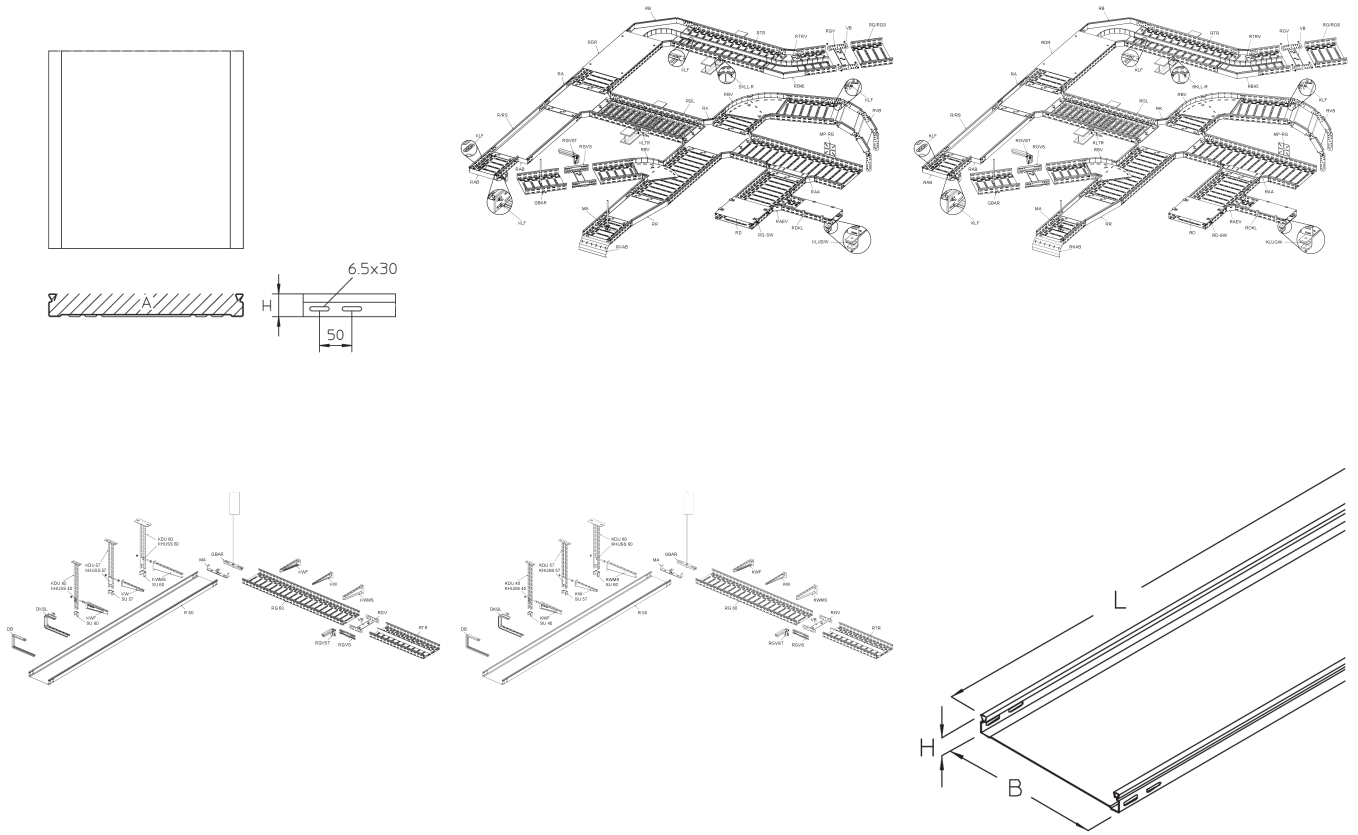
**Q<sub>SK</sub>:** distributed load control cable

**W:** Weight per storage unit

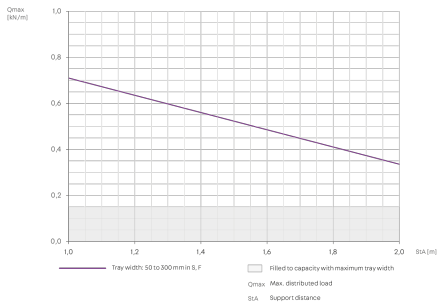


# PRODUCT INFORMATION

## DETAIL AND APPLICATION IMAGES



## LOAD DIAGRAM



## OPTIONAL ACCESSORIES

RD, RDR, RB 35, RB45 35, RBV 35, RAE 35, RAA 35, RA 35, RK 35, RVB 35, RR 35, RAB 35, REB, RGV 35, VB, RTR 35

Page 2



PohlCon GmbH  
 Nobelstraße 51 | 12057 Berlin  
 Telefon: +49 30 68283-04 | Fax: +49 30 68283-383 | contact@pohlcon.com



