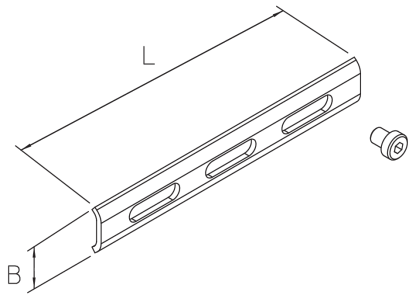


## MKD-L

### Connecting link



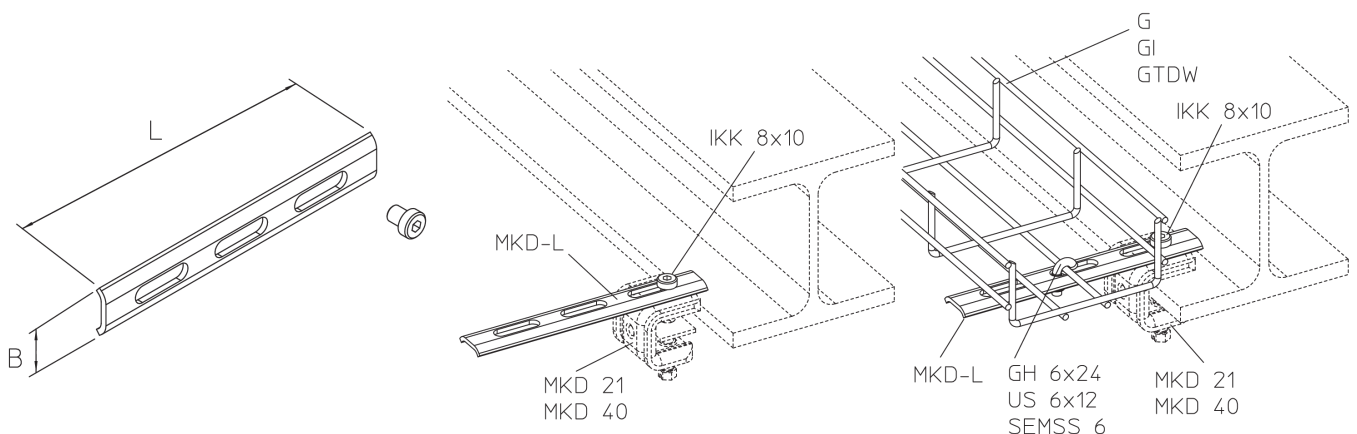
Mesh cable trays of the types G, GI and GTDW can be mounted vertically or horizontally on steel beams using MKD-L connecting links. The connecting link MKD-L is attached to the T-beam together along the MKD mounting clamp. The mesh cable tray is then mounted on the connecting link using either the KLU clamp fastener or a bolt set. The connecting link MKD-L is made of hot-dip galvanized steel.

steel, batch/hot-dip galvanized

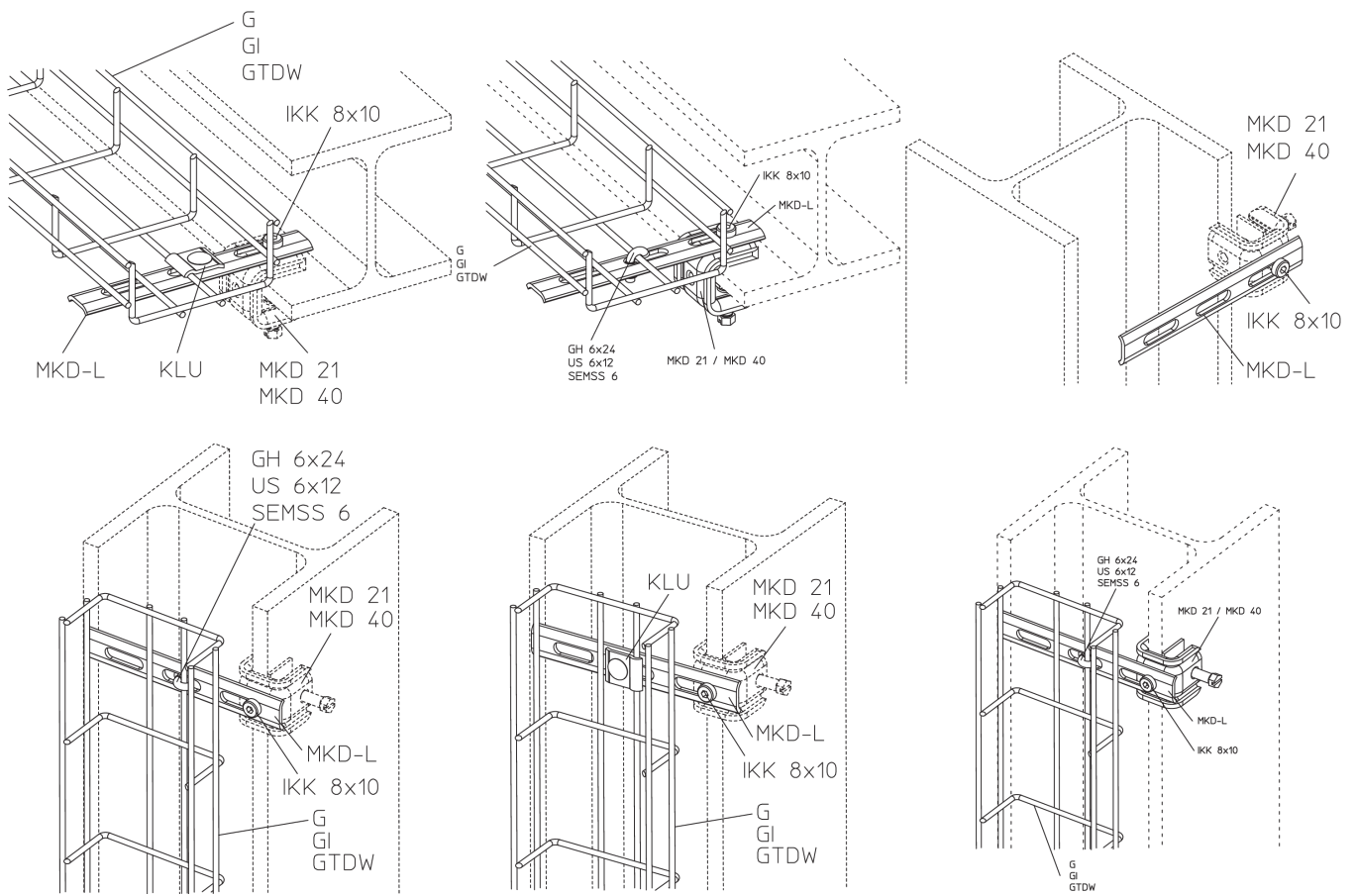
| Products      | B     | L      | t       | W        |
|---------------|-------|--------|---------|----------|
| MKD-L F       | 30 mm | 170 mm | 3,00 mm | 0,130 kg |
| incl.:        |       |        |         |          |
| 1 × IKK 8X10E |       |        |         |          |

**B:** width  
**L:** length  
**t:** material thickness  
**W:** Weight per storage unit

## DETAIL AND APPLICATION IMAGES



# PRODUCT INFORMATION



## OPTIONAL ACCESSORIES

MKD, KLU

