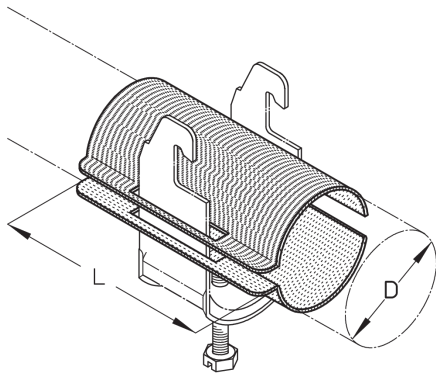


LW Long trough



The extended trough LW is used for improved cable support. They are suitable for cables with a maximum diameter of 120 mm and are available in lengths of 70 or 100 mm. We provide components in various materials and surface finishes to ensure that various requirements for different areas of application are met.

steel, continuously hot galvanized/Sendzimir process

Products	L	D		weight
LW 12	70 mm	9 - 12 mm	12 mm	0,009 kg
LW 16	70 mm	13 - 16 mm	16 mm	0,010 kg
LW 20	70 mm	17 - 20 mm	20 mm	0,012 kg
LW 24	70 mm	21 - 24 mm	24 mm	0,015 kg
LW 28	70 mm	25 - 28 mm	28 mm	0,018 kg
LW 32	70 mm	29 - 32 mm	32 mm	0,022 kg
LW 36	70 mm	33 - 36 mm	36 mm	0,023 kg
LW 40	70 mm	37 - 40 mm	40 mm	0,026 kg
LW 44	70 mm	41 - 44 mm	44 mm	0,031 kg
LW 48	70 mm	45 - 48 mm	48 mm	0,034 kg
LW 52	70 mm	49 - 52 mm	52 mm	0,036 kg
LW 56	70 mm	53 - 56 mm	56 mm	0,039 kg
LW 60	70 mm	57 - 60 mm	60 mm	0,038 kg
LW 64	70 mm	61 - 64 mm	64 mm	0,045 kg
LW 70	70 mm	65 - 70 mm	70 mm	0,048 kg
LW 76	70 mm	71 - 76 mm	76 mm	0,118 kg
LW 82	100 mm	77 - 82 mm	82 mm	0,127 kg
LW 88	100 mm	83 - 88 mm	88 mm	0,137 kg
LW 94	100 mm	89 - 94 mm	94 mm	0,146 kg
LW 100	100 mm	95 - 100 mm	100 mm	0,155 kg
LW 110	100 mm	101 - 110 mm	110 mm	0,171 kg

Page 1



PRODUCT INFORMATION

Products	L	D		weight
LW 120	100 mm	111 - 120 mm	120 mm	0,186 kg

Stainless steel, according to ASTM 304 / BS 304 S 3

Products	L	D		weight
LW 12E	70 mm	9 - 12 mm	12 mm	0,009 kg
LW 16E	70 mm	13 - 16 mm	16 mm	0,010 kg
LW 20E	70 mm	17 - 20 mm	20 mm	0,013 kg
LW 24E	70 mm	21 - 24 mm	24 mm	0,015 kg
LW 28E	70 mm	25 - 28 mm	28 mm	0,018 kg
LW 32E	70 mm	29 - 32 mm	32 mm	0,022 kg
LW 36E	70 mm	33 - 36 mm	36 mm	0,024 kg
LW 40E	70 mm	37 - 40 mm	40 mm	0,026 kg
LW 44E	70 mm	41 - 44 mm	44 mm	0,031 kg
LW 48E	70 mm	45 - 48 mm	48 mm	0,034 kg
LW 52E	70 mm	49 - 52 mm	52 mm	0,037 kg
LW 56E	70 mm	53 - 56 mm	56 mm	0,040 kg

L: length
D: diameter

DETAIL AND APPLICATION IMAGES



PRODUCT INFORMATION

