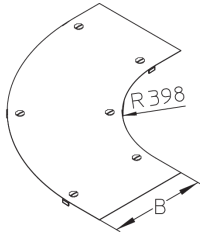


LIBDR

Cable ladder internal bend cover with turning bolts



PUK cable ladder internal bend covers LIBDR are suitable for cable ladder internal bends and protect them from external influences such as dirt and moisture. They are placed on top of the bends and also have turning bolts for additional attachment. If the covers are to be used outdoors, additional securing brackets to protect against wind are required. In this case, the twist lock alone is not sufficient as a retaining element. We provide components in various materials and surface finishes to ensure that the corrosion requirements are met for all sorts of applications.

steel, continuously hot galvanized/Sendzimir process

Products	B	t		W
LIBDR 20S	204 mm	0,75 mm	HORIZONTAL	1,421 kg
LIBDR 30S	304 mm	1,00 mm	HORIZONTAL	2,835 kg
LIBDR 40S	404 mm	1,00 mm	HORIZONTAL	3,959 kg
LIBDR 50S	504 mm	1,25 mm	HORIZONTAL	6,463 kg
LIBDR 60S	604 mm	1,25 mm	HORIZONTAL	8,176 kg

steel, batch/hot-dip galvanized

Products	B	t		W
LIBDR 20F	204 mm	0,75 mm	HORIZONTAL	1,525 kg
LIBDR 30F	304 mm	1,00 mm	HORIZONTAL	3,039 kg
LIBDR 40F	404 mm	1,00 mm	HORIZONTAL	4,242 kg
LIBDR 50F	504 mm	1,25 mm	HORIZONTAL	6,921 kg
LIBDR 60F	604 mm	1,25 mm	HORIZONTAL	8,754 kg

Stainless steel, according to ASTM 304 / BS 304 S 3

Products	B	t		W
LIBDR 20E	204 mm	0,80 mm	HORIZONTAL	1,441 kg

Page 1

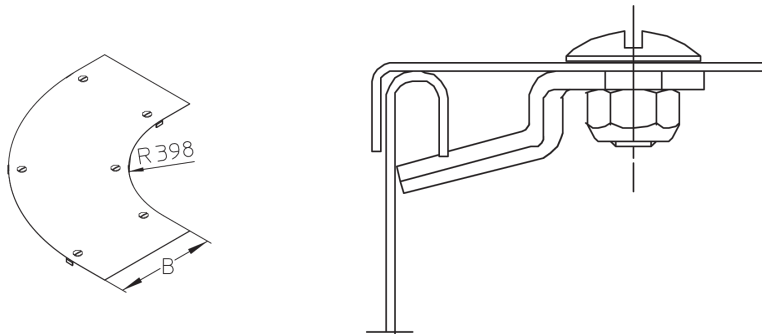


PRODUCT INFORMATION

Products	B	t		W
LIBDR 30E	304 mm	1,00 mm	HORIZONTAL	2,867 kg
LIBDR 40E	404 mm	1,00 mm	HORIZONTAL	3,995 kg
LIBDR 50E	504 mm	1,25 mm	HORIZONTAL	6,517 kg
LIBDR 60E	604 mm	1,25 mm	HORIZONTAL	8,239 kg

B: width
t: material thickness
W: Weight per storage unit

DETAIL AND APPLICATION IMAGES



OPTIONAL ACCESSORIES

LD-SW

