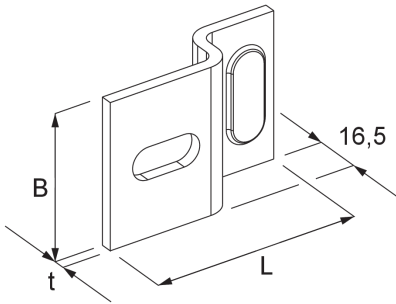


# PRODUCT INFORMATION

## LH

### Ladder bracket

The ladder brackets LH can be used to attach LGG 60 and STU 50 vertical ladders to the wall. It consists of two brackets. The distance between the ladder brackets must not exceed 1500 mm (general power supply vertical ladder). The ladder bracket is made of hot-dip galvanized steel.

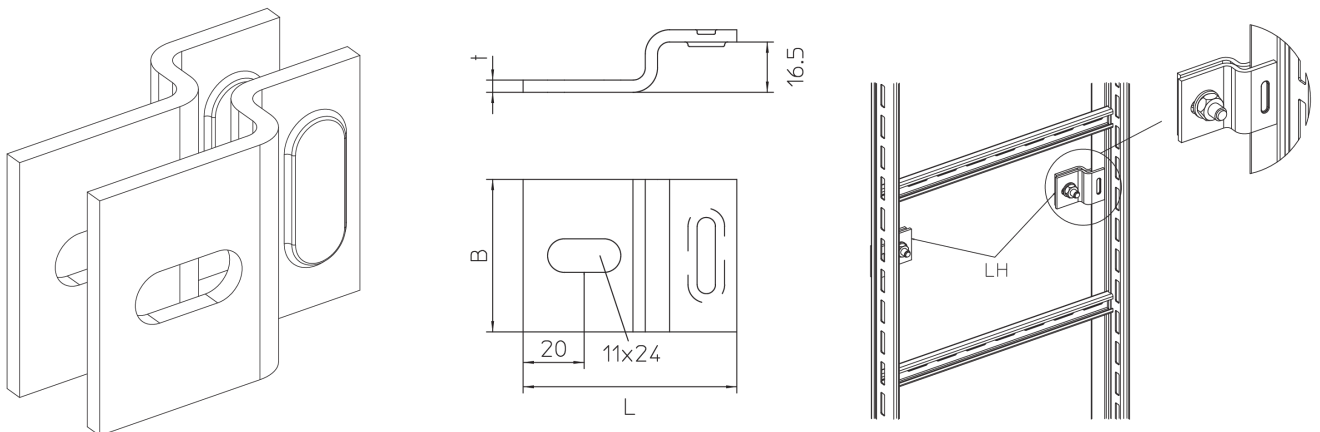


steel, batch/hot-dip galvanized

Products	B	L	t	W
LH F	50 mm	70 mm	4,00 mm	0,252 kg

**B:** width  
**L:** length  
**t:** material thickness  
**W:** Weight per storage unit

## DETAIL AND APPLICATION IMAGES



# PRODUCT INFORMATION

---

