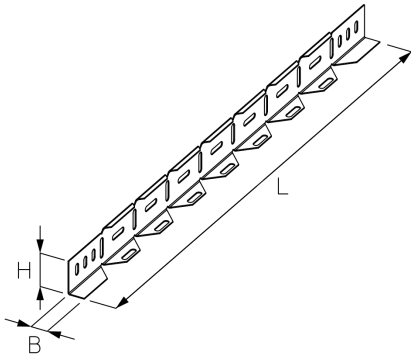


## LGVHV 60

Cable ladder connector, horizontal, variable, height = 60 mm



Horizontal changes of direction can also be implemented without formed parts. To do so, LGVHV 60 variable horizontal connectors are pushed onto the rails of the cable ladder previously cut to size according to the installation instructions and bolted in place. The connectors can be adjusted to the required angle. The pre-cut connecting rack is then mounted using the connectors. The variable horizontal connectors can be used to create reductions, bends of up to 90°, branches and offsets. Missing rungs must be added individually to the building situation using KHB 7 profiles. Various lengths are available for this purpose. The connector LGVHV 60 is 60 mm high corresponding to the cable ladder and 900 mm long. We provide components in various materials and surface finishes to ensure that the corrosion requirements are met for all sorts of applications.

steel, continously hot galvanized/Sendzimir process

Products	H	B	L	weight
LGVHV 60S	60 mm	28 mm	900 mm	0,850 kg
incl.:				
2 × FRSV 8X16, 2 × SEMS 8				

Stainless steel, according to ASTM 304 / BS 304 S 3

Products	H	B	L	weight
LGVHV 60E	60 mm	28 mm	900 mm	0,855 kg
incl.:				
2 × FRSV 8X16E, 2 × SEMS 8E				

Stainless steel, according to ASTM 316 Ti / AISI 316 L, BS 320S17 / BS 316S11

Products	H	B	L	weight
LGVHV 60E4	60 mm	28 mm	900 mm	0,863 kg
incl.:				
2 × FKS 8X16E4, 2 × SEM 8E4, 2 × US 8X17E4				

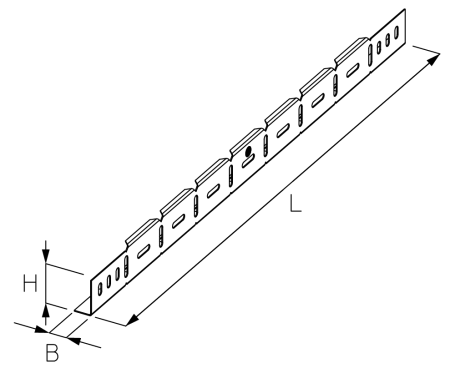
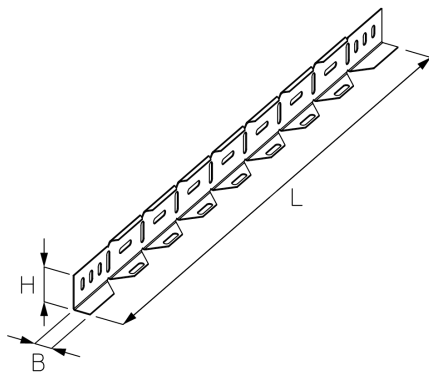
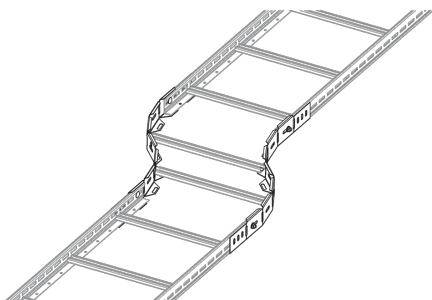
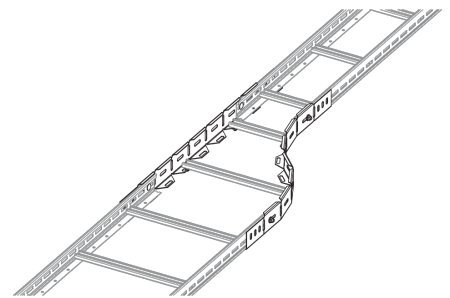
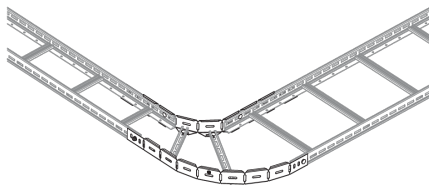
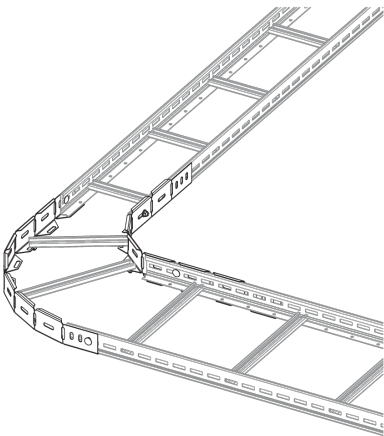
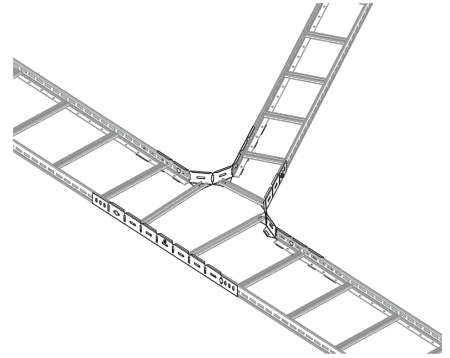
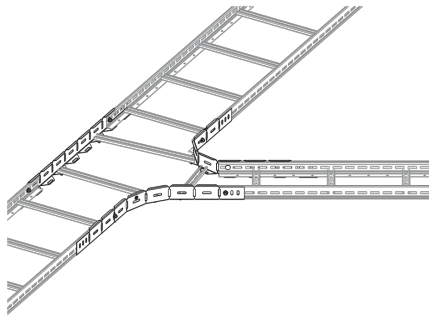
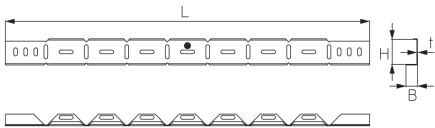
Page 1



# PRODUCT INFORMATION

**H:** height  
**B:** width  
**L:** length

## DETAIL AND APPLICATION IMAGES



## OPTIONAL ACCESSORIES

KHB 7

