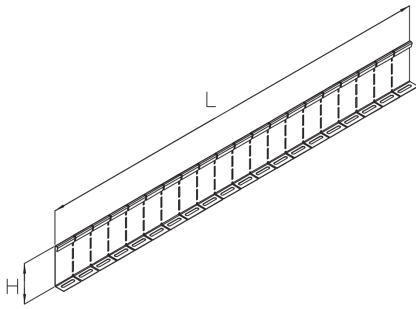


## LGTRV 100

Cable ladder separating strip, variable, height = 80 mm



Cables and wires with different functions or voltages can be routed separately from one another by using the variable separating strip LGTRV 100. The separating strip is separated into segments. This makes it flexible and ideal for being installed in formed parts. Mounting bolts are included. The separating strip LGTRV 100 is suitable for the LGG 100 cable ladder. It is 80 mm high and 1000 mm long. We provide components in various materials and surface finishes to ensure that the corrosion requirements are met for all sorts of applications.

steel, continuously hot galvanized/Senzimir process

Products	H	L	t	weight
LGTRV 100S	80 mm	1000 mm	0,75 mm	0,710 kg
incl.:				
3 × FKS 6X10, 3 × AM16 M6F				

Stainless steel, according to ASTM 304 / BS 304 S 3

Products	H	L	t	weight
LGTRV 100E	80 mm	1000 mm	0,80 mm	0,755 kg
incl.:				
3 × FKS 6X10E, 3 × AM16 M6E4				

**H:** height  
**L:** length  
**t:** material thickness

## DETAIL AND APPLICATION IMAGES



# PRODUCT INFORMATION

---

