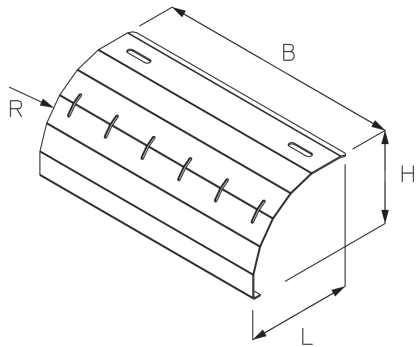


## LGKAB

### Cable ladder drop-out plate



The cable ladder drop-out plate LGKAB is used to route cables vertically out of the cable ladder and to protect the cables. It is 140 to 540 mm wide corresponding to the cable ladder. We provide components in various materials and surface finishes to ensure that the corrosion requirements are met for all sorts of applications.

steel, continuously hot galvanized/Sendzimir process

Products	H	B	L	R	t	weight
LGKAB 20S	110 mm	140 mm	129 mm	100 mm	1,50 mm	0,372 kg
incl.:						
2 × FKS 6X10, 2 × AM16 M6F						
LGKAB 30S	110 mm	240 mm	129 mm	100 mm	1,50 mm	0,613 kg
incl.:						
2 × AM16 M6F, 2 × FKS 6X10						
LGKAB 40S	110 mm	340 mm	129 mm	100 mm	1,50 mm	0,854 kg
incl.:						
2 × FKS 6X10, 2 × AM16 M6F						
LGKAB 50S	110 mm	440 mm	129 mm	100 mm	1,50 mm	1,112 kg
incl.:						
3 × FKS 6X10, 3 × AM16 M6F						
LGKAB 60S	110 mm	540 mm	129 mm	100 mm	1,50 mm	1,353 kg
incl.:						
3 × FKS 6X10, 3 × AM16 M6F						

steel, batch/hot-dip galvanized

Products	H	B	L	R	t	weight
LGKAB 20F	110 mm	140 mm	129 mm	100 mm	1,50 mm	0,393 kg

Page 1



# PRODUCT INFORMATION

Products	H	B	L	R	t	weight
incl.: 2 × FKS 6X10E, 2 × AM16 M6E4						
LGKAB 30F	110 mm	240 mm	129 mm	100 mm	1,50 mm	0,651 kg
incl.: 2 × FKS 6X10E, 2 × AM16 M6E4						
LGKAB 40F	110 mm	340 mm	129 mm	100 mm	1,50 mm	0,909 kg
incl.: 2 × FKS 6X10E, 2 × AM16 M6E4						
LGKAB 50F	110 mm	440 mm	129 mm	100 mm	1,50 mm	1,183 kg
incl.: 2 × FKS 6X10E, 3 × AM16 M6E4						
LGKAB 60F	110 mm	540 mm	129 mm	100 mm	1,50 mm	1,440 kg
incl.: 3 × AM16 M6E4, 2 × FKS 6X10E						

## Stainless steel, according to ASTM 304 / BS 304 S 3

Products	H	B	L	R	t	weight
LGKAB 20E	110 mm	140 mm	129 mm	100 mm	1,50 mm	0,372 kg
incl.: 2 × FKS 6X10E, 2 × AM16 M6E4						
LGKAB 30E	110 mm	240 mm	129 mm	100 mm	1,50 mm	0,614 kg
incl.: 2 × FKS 6X10E, 2 × AM16 M6E4						
LGKAB 40E	110 mm	340 mm	129 mm	100 mm	1,50 mm	0,857 kg
incl.: 2 × FKS 6X10E, 2 × AM16 M6E4						
LGKAB 50E	110 mm	440 mm	129 mm	100 mm	1,50 mm	1,116 kg
incl.: 3 × FKS 6X10E, 3 × AM16 M6E4						
LGKAB 60E	110 mm	540 mm	129 mm	100 mm	1,50 mm	1,358 kg
incl.: 3 × FKS 6X10E, 3 × AM16 M6E4						

Page 2



PohlCon GmbH  
Nobelstraße 51 | 12057 Berlin  
Telefon: +49 30 68283-04 | Fax: +49 30 68283-383 | contact@pohlcon.com



# PRODUCT INFORMATION

---

**H:** height  
**B:** width  
**L:** length  
**R:** radius  
**t:** material thickness

## DETAIL AND APPLICATION IMAGES

