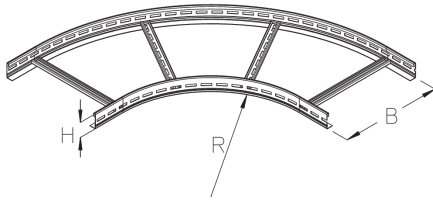


LGIB 100

Cable ladder internal bend, height = 100 mm



The cable ladder internal bend LGIB 100 allows the direction of cable routing to be changed horizontally by 90°. They are suitable for cable ladders with rails 100 mm high and are 200 to 600 mm wide. The bend is mounted on the cable ladders using LGV side connectors (please order separately). The inner radius of the LGIB cable ladder internal bend is 400 mm and is smaller than that of the LGAB cable ladder external bend. The cable ladder can thus be guided more tightly around curves depending on the circumstances. We provide components in various materials and surface finishes to ensure that the corrosion requirements are met for all sorts of applications.

steel, batch/hot-dip galvanized

Products	H	B	R			W
LGIB 100-20F	100 mm	200 mm	400 mm	90 °	HORIZONTAL	3,910 kg
LGIB 100-30F	100 mm	300 mm	400 mm	90 °	HORIZONTAL	4,460 kg
LGIB 100-40F	100 mm	400 mm	400 mm	90 °	HORIZONTAL	5,000 kg
LGIB 100-50F	100 mm	500 mm	400 mm	90 °	HORIZONTAL	6,280 kg
LGIB 100-60F	100 mm	600 mm	400 mm	90 °	HORIZONTAL	6,980 kg

Stainless steel, according to ASTM 304 / BS 304 S 3

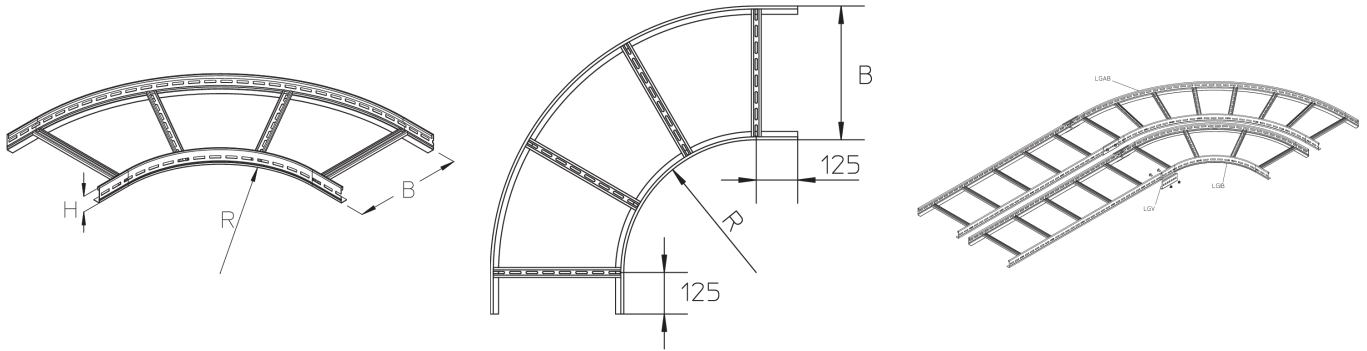
Products	H	B	R			W
LGIB 100-20E	100 mm	200 mm	400 mm	90 °	HORIZONTAL	3,680 kg
LGIB 100-30E	100 mm	300 mm	400 mm	90 °	HORIZONTAL	4,190 kg
LGIB 100-40E	100 mm	400 mm	400 mm	90 °	HORIZONTAL	4,710 kg
LGIB 100-50E	100 mm	500 mm	400 mm	90 °	HORIZONTAL	5,910 kg
LGIB 100-60E	100 mm	600 mm	400 mm	90 °	HORIZONTAL	6,560 kg

H: height
B: width
R: radius
W: Weight per storage unit



PRODUCT INFORMATION

DETAIL AND APPLICATION IMAGES



OPTIONAL ACCESSORIES

LGV 100, LGVH 100, LGVV 100, LGTRV 100, LIBD, LIBDR

