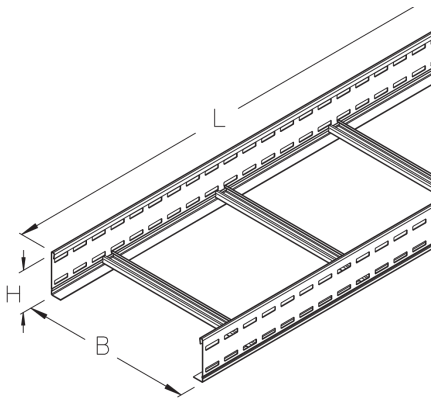


## LGGS 100

Cable ladder, L profile, heavy, height = 100 mm

The perforated and welded cable ladders LGGS 100 have rails 100 mm high and are available in ladder widths of 200 to 600 mm and in lengths of 3000 and 6000 mm. The rungs consist of profile rails (30 x 15 mm). We provide components in various materials and surface finishes to ensure that the corrosion requirements are met for all sorts of applications.



steel, continuously hot galvanized/Sendzimir process

Products	H	B	L	A	Q <sub>Lk</sub>	weight
LGGS 100-20-3S	100 mm	200 mm	3000 mm	161 cm <sup>2</sup>	0,45 kN/m	13,580 kg
LGGS 100-30-3S	100 mm	300 mm	3000 mm	242 cm <sup>2</sup>	0,68 kN/m	14,460 kg
LGGS 100-40-3S	100 mm	400 mm	3000 mm	322 cm <sup>2</sup>	0,9 kN/m	15,350 kg
LGGS 100-50-3S	100 mm	500 mm	3000 mm	403 cm <sup>2</sup>	1,13 kN/m	16,230 kg
LGGS 100-60-3S	100 mm	600 mm	3000 mm	483 cm <sup>2</sup>	1,35 kN/m	17,120 kg
LGGS 100-20S	100 mm	200 mm	6000 mm	161 cm <sup>2</sup>	0,45 kN/m	27,160 kg
LGGS 100-30S	100 mm	300 mm	6000 mm	242 cm <sup>2</sup>	0,68 kN/m	28,930 kg
LGGS 100-40S	100 mm	400 mm	6000 mm	322 cm <sup>2</sup>	0,9 kN/m	30,700 kg
LGGS 100-50S	100 mm	500 mm	6000 mm	403 cm <sup>2</sup>	1,13 kN/m	32,470 kg
LGGS 100-60S	100 mm	600 mm	6000 mm	483 cm <sup>2</sup>	1,35 kN/m	34,230 kg

steel, batch/hot-dip galvanized

Products	H	B	L	A	Q <sub>Lk</sub>	weight
LGGS 100-20-3F	100 mm	200 mm	3000 mm	161 cm <sup>2</sup>	0,45 kN/m	14,530 kg
LGGS 100-30-3F	100 mm	300 mm	3000 mm	242 cm <sup>2</sup>	0,68 kN/m	15,785 kg
LGGS 100-40-3F	100 mm	400 mm	3000 mm	322 cm <sup>2</sup>	0,9 kN/m	16,420 kg
LGGS 100-50-3F	100 mm	500 mm	3000 mm	403 cm <sup>2</sup>	1,13 kN/m	17,370 kg
LGGS 100-60-3F	100 mm	600 mm	3000 mm	483 cm <sup>2</sup>	1,35 kN/m	18,320 kg
LGGS 100-20F	100 mm	200 mm	6000 mm	161 cm <sup>2</sup>	0,45 kN/m	29,050 kg



# PRODUCT INFORMATION

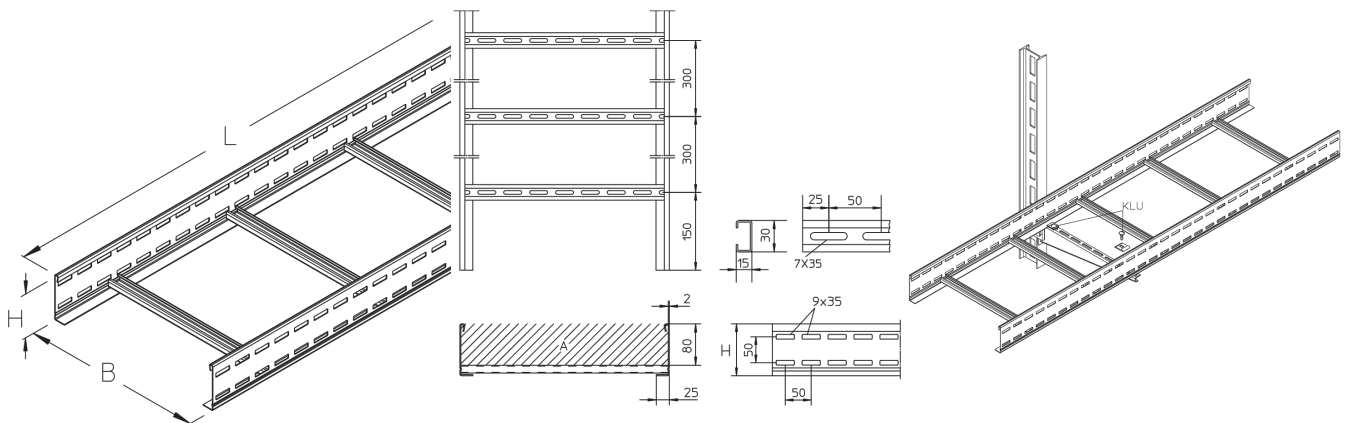
Products	H	B	L	A	$Q_{LK}$	weight
LGGS 100-30F	100 mm	300 mm	6000 mm	242 cm <sup>2</sup>	0,68 kN/m	30,930 kg
LGGS 100-40F	100 mm	400 mm	6000 mm	322 cm <sup>2</sup>	0,9 kN/m	32,820 kg
LGGS 100-50F	100 mm	500 mm	6000 mm	403 cm <sup>2</sup>	1,13 kN/m	34,700 kg
LGGS 100-60F	100 mm	600 mm	6000 mm	483 cm <sup>2</sup>	1,35 kN/m	36,100 kg

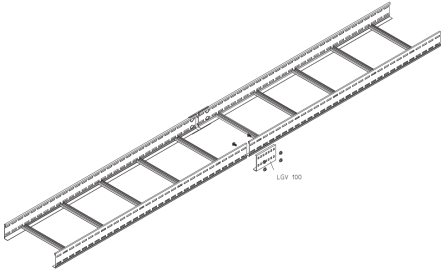
Stainless steel, according to ASTM 316 Ti / AISI 316 L, BS 320S17 / BS 316S11

Products	H	B	L	A	$Q_{LK}$	weight
LGGS 100-20E4	100 mm	200 mm	6000 mm	161 cm <sup>2</sup>	0,45 kN/m	27,640 kg
LGGS 100-40E4	100 mm	400 mm	6000 mm	322 cm <sup>2</sup>	0,9 kN/m	31,300 kg

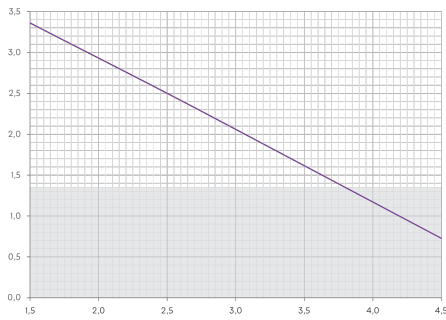
**H:** height  
**B:** width  
**L:** length  
**A:** cross section area  
 **$Q_{LK}$ :**

## DETAIL AND APPLICATION IMAGES





## LOAD DIAGRAM



## OPTIONAL ACCESSORIES

LGIB 100, LGAB 100, LGAA 100, LGA 100, LGK 100, LGVB 100, LGV 100, LGVH 100, LGVV 100, LGTR 100, SL 100, LGKAB, H, LD, LDR

