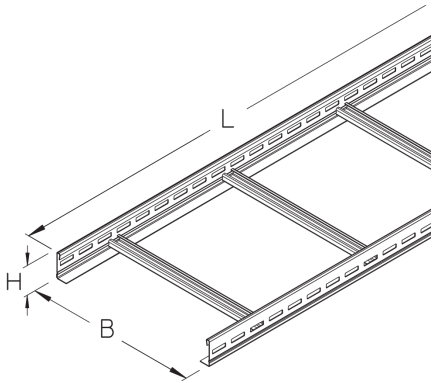


LGG-BS 60

Cable ladder, L profile, height = 60 mm, maintenance of function



steel, continuously hot galvanized/Sendzimir process

Products	H	B	L	P _{max}	A	weight
LGG-BS 60-20-3S	60 mm	200 mm	3000 mm	1,50 kN	81 cm ²	9,290 kg
LGG-BS 60-30-3S	60 mm	300 mm	3000 mm	1,50 kN	122 cm ²	10,670 kg
LGG-BS 60-40-3S	60 mm	400 mm	3000 mm	1,50 kN	162 cm ²	12,050 kg
LGG-BS 60-20-6S	60 mm	200 mm	6000 mm	1,50 kN	81 cm ²	18,580 kg
LGG-BS 60-30-6S	60 mm	300 mm	6000 mm	1,50 kN	122 cm ²	21,340 kg
LGG-BS 60-40-6S	60 mm	400 mm	6000 mm	1,50 kN	162 cm ²	24,090 kg

steel, batch/hot-dip galvanized

Products	H	B	L	P _{max}	A	weight
LGG-BS 60-20-3F	60 mm	200 mm	3000 mm	1,50 kN	81 cm ²	9,850 kg
LGG-BS 60-30-3F	60 mm	300 mm	3000 mm	1,50 kN	122 cm ²	11,280 kg
LGG-BS 60-40-3F	60 mm	400 mm	3000 mm	1,50 kN	162 cm ²	12,700 kg
LGG-BS 60-20-6F	60 mm	200 mm	6000 mm	1,50 kN	81 cm ²	19,690 kg
LGG-BS 60-30-6F	60 mm	300 mm	6000 mm	1,50 kN	122 cm ²	22,560 kg
LGG-BS 60-40-6F	60 mm	400 mm	6000 mm	1,50 kN	162 cm ²	25,390 kg

H: height
B: width
L: length

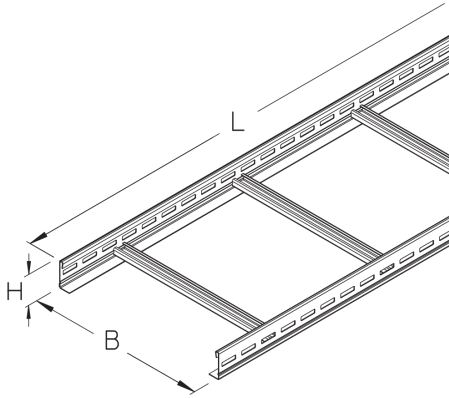
Page 1



PRODUCT INFORMATION

P_{max} : maximum load
A: cross section area

DETAIL AND APPLICATION IMAGES



OPTIONAL ACCESSORIES

LGIB-BS 60, LGV-BS 60, LGVH-BS 60, LGVV-BS 60, KLU

