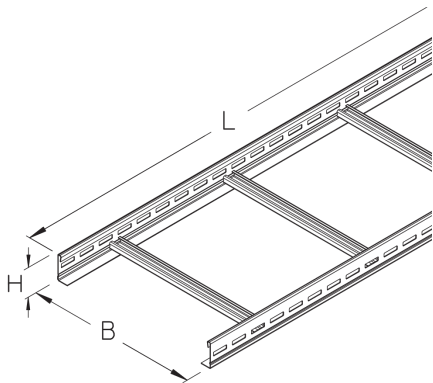


LGG 60

Cable ladder, L profile, height = 60 mm



The perforated and welded cable ladders LGG 60 have rails 60 mm high and are available in widths of 200 to 600 mm and in lengths of 3000 and 6000 mm. The rungs consist of profile rails (30 x 15 mm). We provide components in various materials and surface finishes to ensure that the corrosion requirements are met for all sorts of applications.



steel, continuously hot galvanized/Sendzimir process

Products	H	B	L	P_{max}	A	Q_{LK}	W
LGG 60-20-3S	60 mm	200 mm	3000 mm	1,50 kN	81 cm ²	0,23 kN/m	7,920 kg
LGG 60-30-3S	60 mm	300 mm	3000 mm	1,50 kN	122 cm ²	0,34 kN/m	8,610 kg
LGG 60-40-3S	60 mm	400 mm	3000 mm	1,50 kN	162 cm ²	0,45 kN/m	9,300 kg
LGG 60-50-3S	60 mm	500 mm	3000 mm	1,50 kN	203 cm ²	0,57 kN/m	9,980 kg
LGG 60-60-3S	60 mm	600 mm	3000 mm	1,50 kN	243 cm ²	0,68 kN/m	10,670 kg
LGG 60-20S	60 mm	200 mm	6000 mm	1,50 kN	81 cm ²	0,23 kN/m	15,840 kg
LGG 60-30S	60 mm	300 mm	6000 mm	1,50 kN	122 cm ²	0,34 kN/m	17,200 kg
LGG 60-40S	60 mm	400 mm	6000 mm	1,50 kN	162 cm ²	0,45 kN/m	18,570 kg
LGG 60-50S	60 mm	500 mm	6000 mm	1,50 kN	203 cm ²	0,57 kN/m	19,940 kg
LGG 60-60S	60 mm	600 mm	6000 mm	1,50 kN	243 cm ²	0,68 kN/m	21,310 kg

steel, batch/hot-dip galvanized

Products	H	B	L	P_{max}	A	Q_{LK}	W
LGG 60-20-3F	60 mm	200 mm	3000 mm	1,50 kN	81 cm ²	0,23 kN/m	8,480 kg
LGG 60-30-3F	60 mm	300 mm	3000 mm	1,50 kN	122 cm ²	0,34 kN/m	9,210 kg
LGG 60-40-3F	60 mm	400 mm	3000 mm	1,50 kN	162 cm ²	0,45 kN/m	9,950 kg
LGG 60-50-3F	60 mm	500 mm	3000 mm	1,50 kN	203 cm ²	0,57 kN/m	10,680 kg
LGG 60-60-3F	60 mm	600 mm	3000 mm	1,50 kN	243 cm ²	0,68 kN/m	11,420 kg
LGG 60-20F	60 mm	200 mm	6000 mm	1,50 kN	81 cm ²	0,23 kN/m	16,950 kg



PRODUCT INFORMATION

Products	H	B	L	P_{max}	A	Q_{LK}	W
LGG 60-30F	60 mm	300 mm	6000 mm	1,50 kN	122 cm ²	0,34 kN/m	18,420 kg
LGG 60-40F	60 mm	400 mm	6000 mm	1,50 kN	162 cm ²	0,45 kN/m	19,890 kg
LGG 60-50F	60 mm	500 mm	6000 mm	1,50 kN	203 cm ²	0,57 kN/m	21,340 kg
LGG 60-60F	60 mm	600 mm	6000 mm	1,50 kN	243 cm ²	0,68 kN/m	22,800 kg

Stainless steel, according to ASTM 304 / BS 304 S 3

Products	H	B	L	P_{max}	A	Q_{LK}	W
LGG 60-20-3E	60 mm	200 mm	3000 mm	1,50 kN	81 cm ²	0,23 kN/m	7,897 kg
LGG 60-30-3E	60 mm	300 mm	3000 mm	1,50 kN	122 cm ²	0,34 kN/m	8,592 kg
LGG 60-40-3E	60 mm	400 mm	3000 mm	1,50 kN	162 cm ²	0,45 kN/m	9,277 kg
LGG 60-50-3E	60 mm	500 mm	3000 mm	1,50 kN	203 cm ²	0,57 kN/m	9,977 kg
LGG 60-60-3E	60 mm	600 mm	3000 mm	1,50 kN	243 cm ²	0,68 kN/m	10,632 kg
LGG 60-20E	60 mm	200 mm	6000 mm	1,50 kN	81 cm ²	0,23 kN/m	15,950 kg
LGG 60-30E	60 mm	300 mm	6000 mm	1,50 kN	122 cm ²	0,34 kN/m	17,330 kg
LGG 60-40E	60 mm	400 mm	6000 mm	1,50 kN	162 cm ²	0,45 kN/m	18,710 kg
LGG 60-50E	60 mm	500 mm	6000 mm	1,50 kN	203 cm ²	0,57 kN/m	20,090 kg
LGG 60-60E	60 mm	600 mm	6000 mm	1,50 kN	243 cm ²	0,68 kN/m	21,470 kg

Stainless steel, according to ASTM 316 Ti / AISI 316 L, BS 320S17 / BS 316S11

Products	H	B	L	P_{max}	A	Q_{LK}	W
LGG 60-20-3E4	60 mm	200 mm	3000 mm	1,50 kN	81 cm ²	0,23 kN/m	7,970 kg
LGG 60-30-3E4	60 mm	300 mm	3000 mm	1,50 kN	122 cm ²	0,34 kN/m	8,660 kg
LGG 60-40-3E4	60 mm	400 mm	3000 mm	1,50 kN	162 cm ²	0,45 kN/m	9,340 kg
LGG 60-50-3E4	60 mm	500 mm	3000 mm	1,50 kN	203 cm ²	0,57 kN/m	10,030 kg
LGG 60-60-3E4	60 mm	600 mm	3000 mm	1,50 kN	243 cm ²	0,68 kN/m	10,720 kg
LGG 60-20E4	60 mm	200 mm	6000 mm	1,50 kN	81 cm ²	0,23 kN/m	15,950 kg
LGG 60-30E4	60 mm	300 mm	6000 mm	1,50 kN	122 cm ²	0,34 kN/m	17,330 kg
LGG 60-40E4	60 mm	400 mm	6000 mm	1,50 kN	162 cm ²	0,45 kN/m	18,710 kg
LGG 60-50E4	60 mm	500 mm	6000 mm	1,50 kN	203 cm ²	0,57 kN/m	20,090 kg
LGG 60-60E4	60 mm	600 mm	6000 mm	1,50 kN	243 cm ²	0,68 kN/m	21,470 kg



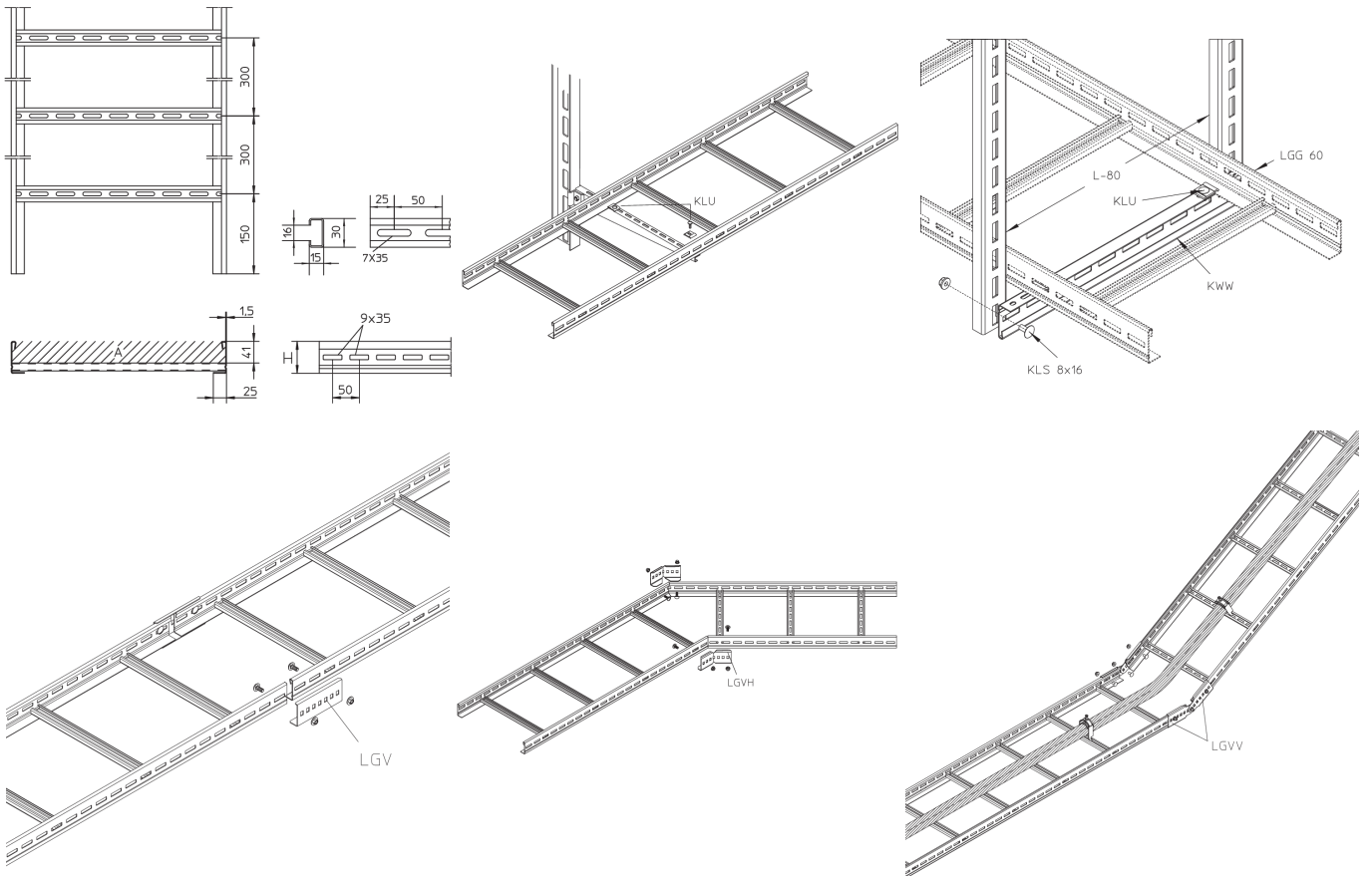
PohlCon GmbH
 Nobelstraße 51 | 12057 Berlin
 Telefon: +49 30 68283-04 | Fax: +49 30 68283-383 | contact@pohlcon.com



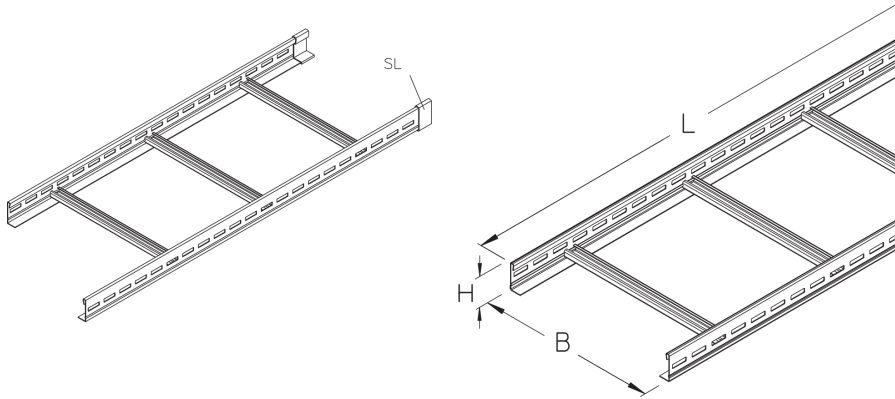
PRODUCT INFORMATION

H: height
B: width
L: length
P_{max}: maximum load
A: cross section area
Q_{LK}:
W: Weight per storage unit

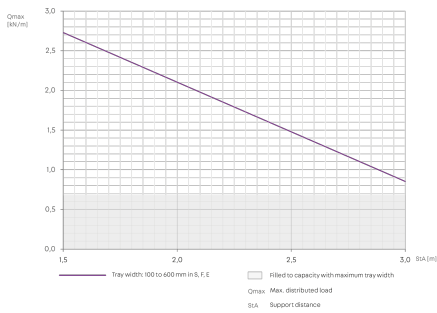
DETAIL AND APPLICATION IMAGES



PRODUCT INFORMATION



LOAD DIAGRAM



OPTIONAL ACCESSORIES

LGIB 60, LGAB 60, LGAA 60, LGA 60, LGK 60, LGVB 60, LGV 60, LGVH 60, LGVV 60, LGTR 60, SL 60, LGKAB, H, LD, LDR

