

## LGG 60

Vertical ladder, L profile, maintenance of function

steel, continuously hot galvanized/Sendzimir process

Products	H	B	L	P <sub>max</sub>	A	Q <sub>LK</sub>	W
LGG 60-20-3S	60 mm	200 mm	3000 mm	1,50 kN	81 cm <sup>2</sup>	0,23 kN/m	7,920 kg
LGG 60-30-3S	60 mm	300 mm	3000 mm	1,50 kN	122 cm <sup>2</sup>	0,34 kN/m	8,610 kg
LGG 60-40-3S	60 mm	400 mm	3000 mm	1,50 kN	162 cm <sup>2</sup>	0,45 kN/m	9,300 kg
LGG 60-20S	60 mm	200 mm	6000 mm	1,50 kN	81 cm <sup>2</sup>	0,23 kN/m	15,840 kg
LGG 60-30S	60 mm	300 mm	6000 mm	1,50 kN	122 cm <sup>2</sup>	0,34 kN/m	17,200 kg
LGG 60-40S	60 mm	400 mm	6000 mm	1,50 kN	162 cm <sup>2</sup>	0,45 kN/m	18,570 kg

steel, batch/hot-dip galvanized

Products	H	B	L	P <sub>max</sub>	A	Q <sub>LK</sub>	W
LGG 60-20-3F	60 mm	200 mm	3000 mm	1,50 kN	81 cm <sup>2</sup>	0,23 kN/m	8,480 kg
LGG 60-30-3F	60 mm	300 mm	3000 mm	1,50 kN	122 cm <sup>2</sup>	0,34 kN/m	9,210 kg
LGG 60-40-3F	60 mm	400 mm	3000 mm	1,50 kN	162 cm <sup>2</sup>	0,45 kN/m	9,950 kg
LGG 60-20F	60 mm	200 mm	6000 mm	1,50 kN	81 cm <sup>2</sup>	0,23 kN/m	16,950 kg
LGG 60-30F	60 mm	300 mm	6000 mm	1,50 kN	122 cm <sup>2</sup>	0,34 kN/m	18,420 kg
LGG 60-40F	60 mm	400 mm	6000 mm	1,50 kN	162 cm <sup>2</sup>	0,45 kN/m	19,890 kg

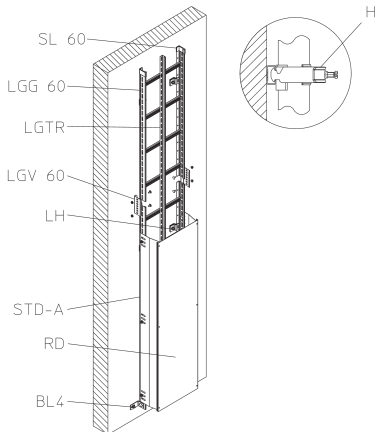
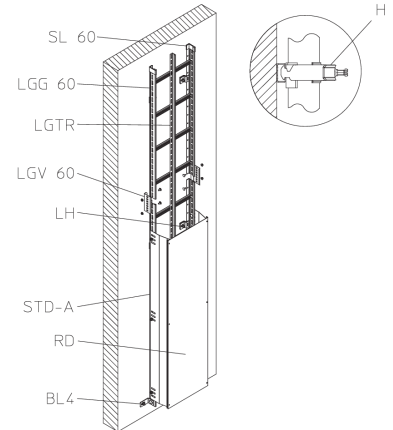
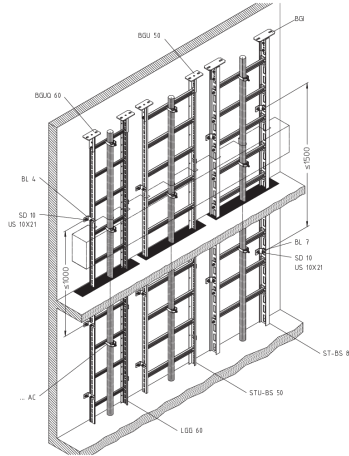
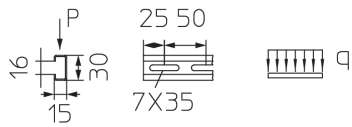
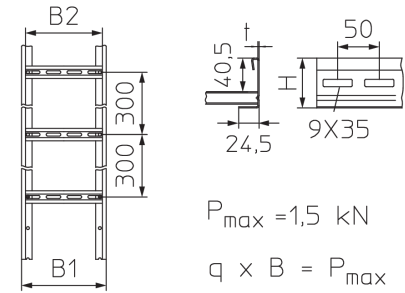
H: height  
B: width  
L: length



# PRODUCT INFORMATION

**$P_{max}$** : maximum load  
**A**: cross section area  
 **$Q_{LK}$** :  
**W**: Weight per storage unit

## DETAIL AND APPLICATION IMAGES



## OPTIONAL ACCESSORIES

LGV 60, BL 4, H, BGUQ-BS 60

